



GAS DRYER  
USE & CARE GUIDE

SÉCHEUSE À GAZ  
GUIDE D'UTILISATION ET D'ENTRETIEN

FOR QUESTIONS ABOUT FEATURES, OPERATION/PERFORMANCE, PARTS, ACCESSORIES OR SERVICE  
CALL: 1.800.688.9900  
IN CANADA, CALL: 1.800.807.6777

VISIT OUR WEBSITE AT [WWW.MAYTAG.COM](http://WWW.MAYTAG.COM)  
IN CANADA, [WWW.MAYTAG.CA](http://WWW.MAYTAG.CA)

AU CANADA, POUR ASSISTANCE, INSTALLATION OU SERVICE, COMPOSEZ LE : 1.800.807.6777

OU VISITEZ NOTRE SITE INTERNET  
[WWW.MAYTAG.CA](http://WWW.MAYTAG.CA)

PARA OBTENER ACCESO AL MANUAL DE USO Y CUIDADO EN ESPAÑOL, O PARA OBTENER INFORMACIÓN ADICIONAL ACERCA DE SU PRODUCTO, VISITE: [WWW.MAYTAG.COM](http://WWW.MAYTAG.COM)  
TENGA LISTO SU NÚMERO DE MODELO COMPLETO. PUEDE ENCONTRAR EL NÚMERO DE MODELO Y DE SERIE DENTRO DE LA CAVIDAD SUPERIOR DE LA PUERTA.

## TABLE OF CONTENTS

<b>DRYER SAFETY</b> .....	<b>3</b>
<b>INSTALLATION INSTRUCTIONS</b> .....	<b>5</b>
Tools and Parts .....	5
Location Requirements .....	5
Electrical Requirements .....	7
Gas Supply Requirements .....	7
Venting Requirements .....	8
Plan Vent System .....	10
Install Vent System .....	11
Install Leveling Legs .....	11
Make Gas Connection .....	11
Connect Vent .....	12
Level Dryer .....	12
Reverse Door Swing (Optional) .....	12
Complete Installation .....	13
<b>DRYER USE</b> .....	<b>14</b>
Starting Your Dryer .....	14
Drying Rack Option .....	15
<b>DRYER CARE</b> .....	<b>15</b>
Cleaning the Dryer Location .....	15
Cleaning the Lint Screen .....	15
Cleaning the Dryer Interior .....	16
Removing Accumulated Lint .....	16
Vacation and Moving Care .....	16
Changing the Drum Light .....	16
<b>TROUBLESHOOTING</b> .....	<b>17</b>
<b>ASSISTANCE OR SERVICE</b> .....	<b>19</b>
<b>ACCESSORIES</b> .....	<b>19</b>
<b>WARRANTY</b> .....	<b>20</b>

## TABLE DES MATIÈRES

<b>SÉCURITÉ DE LA SÈCHEUSE</b> .....	<b>21</b>
<b>INSTRUCTIONS D'INSTALLATION</b> .....	<b>23</b>
Outillage et pièces nécessaires .....	23
Exigences d'installation .....	23
Spécifications électriques .....	25
Spécifications de l'alimentation en gaz .....	25
Exigences concernant l'évacuation .....	27
Planification du système d'évacuation .....	28
Installation du système d'évacuation .....	30
Installation des pieds de nivellement .....	30
Raccordement au gaz .....	30
Raccordement du conduit d'évacuation .....	31
Mise à niveau de la sècheuse .....	31
Inversion du sens d'ouverture de la porte (facultatif) .....	31
Achever l'installation .....	32
<b>UTILISATION DE LA SÈCHEUSE</b> .....	<b>33</b>
Mise en marche de la sècheuse .....	33
Option grille de séchage .....	34
<b>ENTRETIEN DE LA SÈCHEUSE</b> .....	<b>34</b>
Nettoyage de l'emplacement de la sècheuse .....	34
Nettoyage du filtre à charpie .....	35
Nettoyage de l'intérieur de la sècheuse .....	35
Comment enlever la charpie accumulée .....	35
Précautions à prendre pour les vacances et avant un déménagement .....	35
Changement de l'ampoule du tambour .....	36
<b>DÉPANNAGE</b> .....	<b>36</b>
<b>ASSISTANCE OU SERVICE</b> .....	<b>38</b>
<b>ACCESSOIRES</b> .....	<b>38</b>
<b>GARANTIE</b> .....	<b>39</b>

# DRYER SAFETY

## Your safety and the safety of others are very important.

We have provided many important safety messages in this manual and on your appliance. Always read and obey all safety messages.



This is the safety alert symbol.

This symbol alerts you to potential hazards that can kill or hurt you and others.

All safety messages will follow the safety alert symbol and either the word "DANGER" or "WARNING."

These words mean:

**⚠ DANGER**

You can be killed or seriously injured if you don't immediately follow instructions.

**⚠ WARNING**

You can be killed or seriously injured if you don't follow instructions.

All safety messages will tell you what the potential hazard is, tell you how to reduce the chance of injury, and tell you what can happen if the instructions are not followed.

**WARNING: For your safety, the information in this manual must be followed to minimize the risk of fire or explosion, or to prevent property damage, personal injury, or death.**

- Do not store or use gasoline or other flammable vapors and liquids in the vicinity of this or any other appliance.
- **WHAT TO DO IF YOU SMELL GAS:**
  - Do not try to light any appliance.
  - Do not touch any electrical switch; do not use any phone in your building.
  - Clear the room, building, or area of all occupants.
  - Immediately call your gas supplier from a neighbor's phone. Follow the gas supplier's instructions.
  - If you cannot reach your gas supplier, call the fire department.
- Installation and service must be performed by a qualified installer, service agency, or the gas supplier.

In the State of Massachusetts, the following installation instructions apply:

- Installations and repairs must be performed by a qualified or licensed contractor, plumber, or gasfitter qualified or licensed by the State of Massachusetts.
- If using a ball valve, it shall be a T-handle type.
- A flexible gas connector, when used, must not exceed 3 feet.

### IMPORTANT SAFETY INSTRUCTIONS

**WARNING:** To reduce the risk of fire, electric shock, or injury to persons when using the dryer, follow basic precautions, including the following:

- Read all instructions before using the dryer.
- Do not place items exposed to cooking oils in your dryer. Items contaminated with cooking oils may contribute to a chemical reaction that could cause a load to catch fire.
- Do not dry articles that have been previously cleaned in, washed in, soaked in, or spotted with gasoline, dry-cleaning solvents, or other flammable or explosive substances as they give off vapors that could ignite or explode.
- Do not allow children to play on or in the dryer. Close supervision of children is necessary when the dryer is used near children.
- Before the dryer is removed from service or discarded, remove the door to the drying compartment.
- Do not reach into the dryer if the drum is moving.
- Do not install or store the dryer where it will be exposed to the weather.
- Do not tamper with controls.
- Do not repair or replace any part of the dryer or attempt any servicing unless specifically recommended in this Use and Care Guide or in published user-repair instructions that you understand and have the skills to carry out.
- Do not use fabric softeners or products to eliminate static unless recommended by the manufacturer of the fabric softener or product.
- Do not use heat to dry articles containing foam rubber or similarly textured rubber-like materials.
- Clean lint screen before or after each load.
- Keep area around the exhaust opening and adjacent surrounding areas free from the accumulation of lint, dust, and dirt.
- The interior of the dryer and exhaust vent should be cleaned periodically by qualified service personnel.
- See installation instructions for grounding requirements.

### SAVE THESE INSTRUCTIONS

**IMPORTANT:** The gas installation must conform with local codes, or in the absence of local codes, with the National Fuel Gas Code, ANSI Z223.1/NFPA 54 or the Canadian Natural Gas and Propane Installation Code, CSA B149.1.

The dryer must be electrically grounded in accordance with local codes, or in the absence of local codes, with the National Electrical Code, ANSI/NFPA 70 or Canadian Electrical Code, CSA C22.1.

# INSTALLATION INSTRUCTIONS

## Tools and Parts

Gather the required tools and parts before starting installation. Read and follow the instructions provided with any tools listed here.

- 8" or 10" pipe wrench
- 8" or 10" adjustable wrench (for gas connections)
- Flat-blade screwdriver
- Adjustable wrench that opens to 1" (2.5 cm) or hex-head socket wrench (for adjusting dryer feet)
- ¼" nut driver or socket wrench (recommended)
- Level
- Knife
- Vent clamps
- Pipe-joint compound resistant to LP gas
- Caulking gun and compound (for installing new exhaust vent)
- Pliers
- Tape measure

### Parts supplied:

Remove parts package from dryer drum. Check that all parts were included.



4 leveling legs

### Parts needed:

Check local codes and consult gas supplier. Check existing gas supply, electrical supply and venting, and read "Electrical Requirements," "Gas Supply Requirements" and "Venting Requirements" before purchasing parts.

Mobile home installations require special parts (listed following) that may be ordered by calling the dealer from whom you purchased your dryer. For further information, please refer to the "Assistance or Service" section.

- Mobile Home Installation Kit. Ask for Part Number 346764.
- Metal exhaust system hardware.

## Location Requirements

### ⚠ WARNING



#### Explosion Hazard

**Keep flammable materials and vapors, such as gasoline, away from dryer.**

**Place dryer at least 18 inches (46 cm) above the floor for a garage installation.**

**Failure to do so can result in death, explosion, or fire.**

### You will need

- A location that allows for proper exhaust installation. A gas dryer must be exhausted to the outdoors. See "Venting Requirements."
- A grounded electrical outlet located within 2 ft (61 cm) of either side of the dryer. See "Electrical Requirements."
- A sturdy floor to support the dryer and a total weight (dryer and load) of 200 lbs (90.7 kg). The combined weight of a companion appliance should also be considered.
- A level floor with a maximum slope of 1" (2.5 cm) under entire dryer. (If slope is greater than 1" [2.5 cm], install Extended Dryer Feet kit, Part No. 279810.) Clothes may not tumble properly and models with automatic sensor cycles may not operate correctly if dryer is not level.

Do not operate your dryer at temperatures below 45°F (7°C). At lower temperatures, the dryer might not shut off at the end of an automatic cycle. Drying times can be extended.

The dryer must not be installed or stored in an area where it will be exposed to water and/or weather.

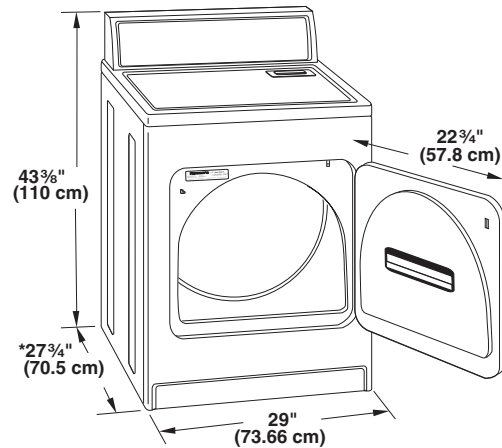
Check code requirements. Some codes limit, or do not permit, installation of the dryer in garages, closets, mobile homes or sleeping quarters. Contact your local building inspector.

**NOTE:** No other fuel-burning appliance can be installed in the same closet as a dryer.

### Installation Clearances

The location must be large enough to allow the dryer door to open fully.

## Dryer Dimensions



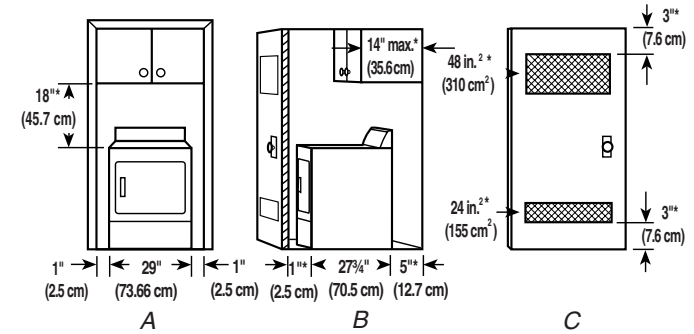
\*Most installations require a minimum 5" (12.7 cm) clearance behind the dryer for the exhaust vent with elbow. See "Venting Requirements."

### Installation spacing for recessed area or closet installation

The following spacing dimensions are recommended for this dryer. This dryer has been tested for spacing of 0" (0 cm) clearance on the sides and rear. Recommended spacing should be considered for the following reasons:

- Additional spacing should be considered for ease of installation and servicing.
- Additional clearances might be required for wall, door and floor moldings.
- Additional spacing should be considered on all sides of the dryer to reduce noise transfer.
- For closet installation, with a door, minimum ventilation openings in the top and bottom of the door are required. Louvered doors with equivalent ventilation openings are acceptable.

- Companion appliance spacing should also be considered.



A. Recessed area  
B. Side view - closet or confined area  
C. Closet door with vents

\*Required spacing

### Mobile Home - Additional Installation Requirements

This dryer is suitable for mobile home installations. The installation must conform to the Manufactured Home Construction and Safety Standard, Title 24 CFR, Part 3280 (formerly the Federal Standard for Mobile Home Construction and Safety, Title 24, HUD Part 280) or the Canadian Manufactured Home Standard, CAN/CSA-Z240 MH.

#### Mobile home installations require:

- Metal exhaust system hardware, which is available for purchase from your dealer.
- Mobile Home Installation Kit Part Number 346764. See "Tools and Parts" section for information on ordering.
- Special provisions must be made in mobile homes to introduce outside air into the dryer. The opening (such as a nearby window) should be at least twice as large as the dryer exhaust opening.

## Electrical Requirements

### **⚠ WARNING**



#### **Electrical Shock Hazard**

- Plug into a grounded 3 prong outlet.**
- Do not remove ground prong.**
- Do not use an adapter.**
- Do not use an extension cord.**
- Failure to follow these instructions can result in death, fire, or electrical shock.**

- 120 Volt, 60 Hz., AC only, 15- or 20-amp fused electrical supply is required. A time-delay fuse or circuit breaker is recommended. It is also recommended that a separate circuit serving only this dryer be provided.

### **GROUNDING INSTRUCTIONS**

- For a grounded, cord-connected dryer:  
This dryer must be grounded. In the event of malfunction or breakdown, grounding will reduce the risk of electric shock by providing a path of least resistance for electric current. This dryer is equipped with a cord having an equipment-grounding conductor and a grounding plug. The plug must be plugged into an appropriate outlet that is properly installed and grounded in accordance with all local codes and ordinances.

**WARNING:** Improper connection of the equipment-grounding conductor can result in a risk of electric shock. Check with a qualified electrician or service representative or personnel if you are in doubt as to whether the dryer is properly grounded. Do not modify the plug provided with the dryer: if it will not fit the outlet, have a proper outlet installed by a qualified electrician.

**SAVE THESE INSTRUCTIONS**

## Gas Supply Requirements

### **⚠ WARNING**



#### **Explosion Hazard**

- Use a new CSA International approved gas supply line.**
- Install a shut-off valve.**
- Securely tighten all gas connections.**
- If connected to LP, have a qualified person make sure gas pressure does not exceed 13" (33 cm) water column.**
- Examples of a qualified person include:  
licensed heating personnel,  
authorized gas company personnel, and  
authorized service personnel.**
- Failure to do so can result in death, explosion, or fire.**

### **Gas Type**

#### **Natural Gas:**

This dryer is equipped for use with Natural gas. It is design-certified by CSA International for LP (propane or butane) gases with appropriate conversion.

- Your dryer must have the correct burner for the type of gas in your home. Burner information is located on the rating plate in the door well of your dryer. If this information does not agree with the type of gas available, contact your dealer or call the phone numbers referenced on the front page of this manual.

#### **LP gas conversion:**

**Conversion must be made by a qualified technician.**

No attempt shall be made to convert the appliance from the gas specified on the model/serial rating plate for use with a different gas without consulting your gas company.

### **Gas Supply Line:**

- Must include 1/8" NPT minimum plugged tapping accessible for test gauge connection, immediately upstream of the gas connection to the dryer. See illustration.
- 1/2" IPS pipe is recommended.
- 3/8" approved aluminum or copper tubing is acceptable for lengths under 20 ft (6.1 m) if local codes and gas supplier permit.

- If you are using Natural gas, do not use copper tubing.
- Lengths over 20 ft (6.1 m) should use larger tubing and a different size adapter fitting.
- If your dryer has been converted to use LP gas,  $\frac{3}{8}$ " LP compatible copper tubing can be used. If the total length of the supply line is more than 20 ft (6.1 m), use larger pipe.

**NOTE:** Pipe-joint compounds that resist the action of LP gas must be used. Do not use TEFLON<sup>†</sup> tape.

- Must include a shutoff valve:

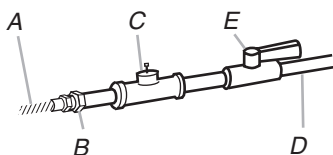
#### In the U.S.A.:

An individual manual shutoff valve must be installed within six (6) feet (1.8 m) of the dryer in accordance with the National Fuel Gas Code, ANSI Z223.1.

#### In Canada:

An individual manual shutoff valve must be installed in accordance with the B149.1, Natural Gas and Propane Installation Code. It is recommended that an individual manual shutoff valve be installed within six (6) feet (1.8 m) of the dryer.

The location should be easy to reach for opening and closing.



- A.  $\frac{3}{8}$ " flexible gas connector
- B.  $\frac{3}{8}$ " pipe to flare adapter fitting
- C.  $\frac{1}{8}$ " NPT minimum plugged tapping
- D.  $\frac{1}{2}$ " NPT gas supply line
- E. Gas shutoff valve

### Gas supply connection requirements

- Use an elbow and a  $\frac{3}{8}$ " flare x  $\frac{3}{8}$ " NPT adapter fitting between the flexible gas connector and the dryer gas pipe, as needed to avoid kinking.
- Use only pipe-joint compound. Do not use TEFLON<sup>†</sup> tape.
- This dryer must be connected to the gas supply line with a listed flexible gas connector that complies with the standard for connectors for gas appliances, ANSI Z21.24 or CSA 6.10.

### Burner Input Requirements:

#### Elevations above 10,000 ft (3,048 m):

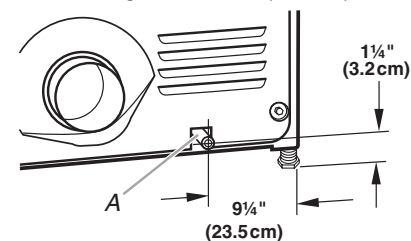
- When installed above 10,000 ft (3,048 m) a 4% reduction of the burner Btu rating shown on the model/serial number plate is required for each 1,000 ft (305 m) increase in elevation.

### Gas supply pressure testing

- The dryer must be disconnected from the gas supply piping system during pressure testing at pressures greater than  $\frac{1}{2}$  psi.

### Dryer Gas Pipe

- The gas pipe that comes out through the rear of your dryer has a  $\frac{3}{8}$ " male pipe thread.



A.  $\frac{3}{8}$ " NPT dryer pipe

## Venting Requirements

### ⚠ WARNING



#### Fire Hazard

**Use a heavy metal vent.**

**Do not use a plastic vent.**

**Do not use a metal foil vent.**

**Failure to follow these instructions can result in death or fire.**

**WARNING:** To reduce the risk of fire, this dryer **MUST BE EXHAUSTED OUTDOORS.**

**IMPORTANT:** Observe all governing codes and ordinances.

The dryer exhaust must not be connected into any gas vent, chimney, wall, ceiling or a concealed space of a building.

<sup>†</sup>TEFLON is a registered trademark of E.I. Du Pont De Nemours and Company.



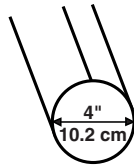
### If using an existing vent system

- Clean lint from the entire length of the system and make sure exhaust hood is not plugged with lint.
- Replace any plastic or metal foil vent with rigid or flexible heavy metal vent.
- Review Vent system chart. Modify existing vent system if necessary to achieve the best drying performance.

### If this is a new vent system

#### Vent material

- Use a heavy metal vent. Do not use plastic or metal foil vent.
- 4" (10.2 cm) heavy metal exhaust vent and clamps must be used.



4" (10.2 cm) heavy metal exhaust vent

Vent products can be purchased from your dealer or by calling Maytag Services. For more information, see the "Assistance or Service" section.

#### Rigid metal vent

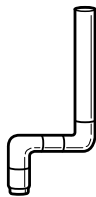
- For best drying performance, rigid metal vents are recommended.
- Rigid metal vent is recommended to avoid crushing and kinking.

#### Flexible metal vent

- Flexible metal vents are acceptable only if accessible for cleaning.
- Flexible metal vent must be fully extended and supported when the dryer is in its final location.
- Remove excess flexible metal vent to avoid sagging and kinking that may result in reduced airflow and poor performance.
- Do not install flexible metal vent in enclosed walls, ceilings or floors.

#### Elbows

45° elbows provide better airflow than 90° elbows.



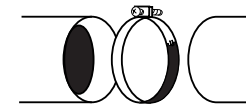
Good



Better

#### Clamps

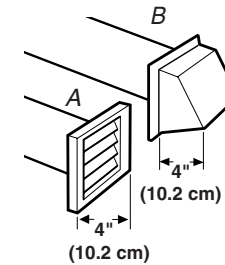
- Use clamps to seal all joints.
- Exhaust vent must not be connected or secured with screws or other fastening devices that extend into the interior of the duct. Do not use duct tape.



Clamp

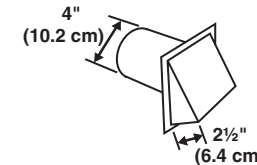
#### Exhaust

Recommended hood styles are shown here.



A. Louvered hood style  
B. Box hood style

The angled hood style (shown here) is acceptable.



- An exhaust hood should cap the vent to keep rodents and insects from entering the home.
- Exhaust hood must be at least 12" (30.5 cm) from the ground or any object that may be in the path of the exhaust (such as flowers, rocks or bushes, snow line, etc.).
- Do not use an exhaust hood with a magnetic latch.

#### Improper venting can cause moisture and lint to collect indoors, which may result in:

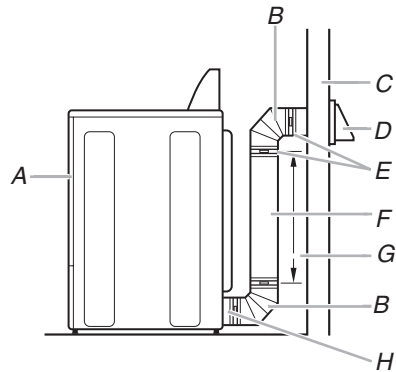
- Moisture damage to woodwork, furniture, paint, wallpaper, carpets, etc.
- Housecleaning problems and health problems.

# Plan Vent System

## Choose your exhaust installation type

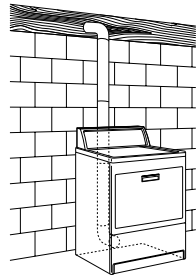
### Recommended exhaust installations

Typical installations vent the dryer from the rear of the dryer. Other installations are possible.



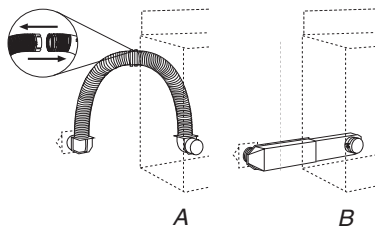
- A. Dryer
- B. Elbow
- C. Wall
- D. Exhaust hood
- E. Clamps
- F. Rigid metal or flexible metal vent
- G. Vent length necessary to connect elbows
- H. Exhaust outlet

### Standard exhaust installation with rigid metal or flexible metal vent



### Alternate installations for close clearances

Venting systems come in many varieties. Select the type best for your installation. Two close-clearance installations are shown. Refer to the manufacturer's instructions.



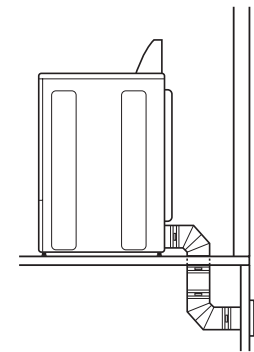
- A. Over-the-top installation (also available with one offset elbow)
- B. Periscope installation

**NOTE:** The following kits for close clearance alternate installations are available for purchase. To order, please see the "Assistance or Service" section.

- Over-the-Top Installation:  
Part Number 4396028
- Periscope Installation (For use with dryer vent to wall vent mismatch):  
Part Number 4396037 - 0" (0 cm) to 18" (45.72 cm) mismatch  
Part Number 4396011 - 18" (45.72 cm) to 29" (73.66 cm) mismatch  
Part Number 4396014 - 29" (73.66 cm) to 50" (127 cm) mismatch

### Special provisions for mobile home installations

The exhaust vent must be securely fastened to a noncombustible portion of the mobile home structure and must not terminate beneath the mobile home. Terminate the exhaust vent outside.



## Determine vent path

- Select the route that will provide the straightest and most direct path outdoors.
- Plan the installation to use the fewest number of elbows and turns.
- When using elbows or making turns, allow as much room as possible.
- Bend vent gradually to avoid kinking.
- Use the fewest 90° turns possible.

## Determine vent length and elbows needed for best drying performance

- Use the Vent system chart below to determine type of vent material and hood combinations acceptable to use.

**NOTE:** Do not use vent runs longer than those specified in the Vent system chart. Exhaust systems longer than those specified will:

- Shorten the life of the dryer.
- Reduce performance, resulting in longer drying times and increased energy usage.

The Vent system chart provides venting requirements that will help to achieve the best drying performance.

### Vent system chart

Number of 90° turns or elbows	Type of vent	Box or louvered hoods	Angled hoods
0	Rigid metal	64 ft (20 m)	58 ft (17.7 m)
	Flexible metal	36 ft (11 m)	28 ft (8.5 m)
1	Rigid metal	54 ft (16.5 m)	48 ft (14.6 m)
	Flexible metal	31 ft (9.4 m)	23 ft (7 m)
2	Rigid metal	44 ft (13.4 m)	38 ft (11.6 m)
	Flexible metal	27 ft (8.2 m)	19 ft (5.8 m)
3	Rigid metal	35 ft (10.7 m)	29 ft (8.8 m)
	Flexible metal	25 ft (7.6 m)	17 ft (5.2 m)
4	Rigid metal	27 ft (8.2 m)	21 ft (6.4 m)
	Flexible metal	23 ft (7 m)	15 ft (4.6 m)

## Install Vent System

1. Install exhaust hood. Use caulking compound to seal exterior wall opening around exhaust hood.
2. Connect vent to exhaust hood. Vent must fit inside exhaust hood. Secure vent to exhaust hood with 4" (10.2 cm) clamp.
3. Run vent to dryer location. Use the straightest path possible. See "Determine vent path" in "Plan Vent System." Avoid 90° turns. Use clamps to seal all joints. Do not use duct tape, screws or other fastening devices that extend into the interior of the vent to secure vent.

## Install Leveling Legs

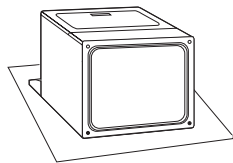
### ⚠ WARNING

#### Excessive Weight Hazard

**Use two or more people to move and install dryer.**

**Failure to do so can result in back or other injury.**

1. To protect the floor, use a large flat piece of cardboard from the dryer carton. Place cardboard under the entire back edge of the dryer.
2. Firmly grasp the body of the dryer (not the top or console panel). Gently lay the dryer on the cardboard. See illustration.



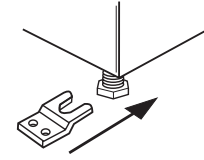
3. Examine the leveling legs. Find the diamond marking.



4. Screw the legs into the leg holes by hand. Use a wrench to finish turning the legs until the diamond marking is no longer visible.
5. Place a carton corner post from dryer packaging under each of the 2 dryer back corners. Stand the dryer up. Slide the dryer on the corner posts until it is close to its final location. Leave enough room to connect the exhaust vent or gas line.

### For mobile home use

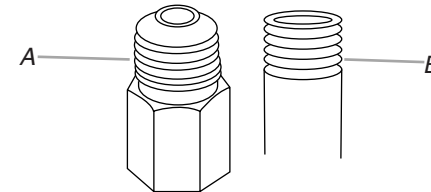
Gas dryers must be securely fastened to the floor.



Mobile home installations require a Mobile Home Installation Kit. See "Tools and Parts" section for information on ordering.

## Make Gas Connection

1. Remove the red cap from the gas pipe.
2. Using a wrench to tighten, connect the gas supply to the dryer. Use pipe-joint compound on the threads of all non-flared male fittings. If flexible metal tubing is used, be sure there are no kinks.



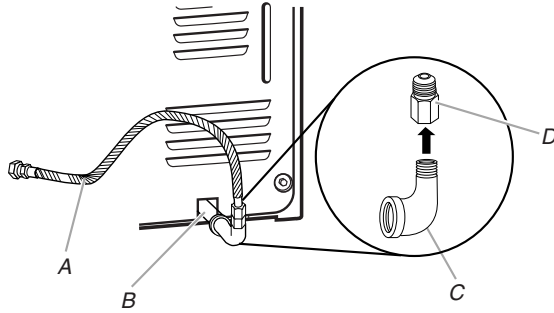
A. Flared male thread

B. Non-flared male thread

**NOTE:** For LP gas connections, you must use pipe-joint compound resistant to the action of LP gas. Do not use TEFLON<sup>®</sup>† tape.

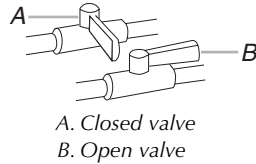
†TEFLON is a registered trademark of E.I. Du Pont De Nemours and Company.

A combination of pipe fittings must be used to connect the dryer to the existing gas line. Shown is a recommended connection. Your connection may be different, according to the supply line type, size, and location.



- A.  $\frac{3}{8}$ " flexible gas connector
- B.  $\frac{3}{8}$ " dryer pipe
- C.  $\frac{3}{8}$ " to  $\frac{3}{8}$ " pipe elbow
- D.  $\frac{3}{8}$ " pipe-to-flare adapter fitting

3. Open the shutoff valve in the supply line. The valve is open when the handle is parallel to the gas pipe.



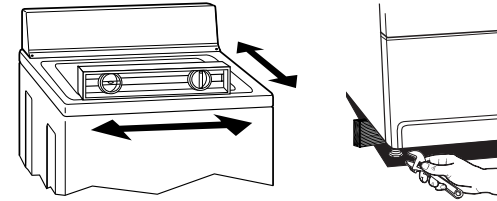
4. Test all connections by brushing on an approved noncorrosive leak-detection solution. Bubbles will show a leak. Correct any leak found.

## Connect Vent

1. Using a 4" (10.2 cm) clamp, connect vent to exhaust outlet in dryer. If connecting to existing vent, make sure the vent is clean. The dryer vent must fit over the dryer exhaust outlet and inside the exhaust hood. Check that the vent is secured to exhaust hood with a 4" (10.2 cm) clamp.
2. Move dryer into its final location. Do not crush or kink vent.
3. (On gas models) Check that there are no kinks in the flexible gas line.
4. Once the exhaust vent connection is made, remove the corner posts and cardboard.

## Level Dryer

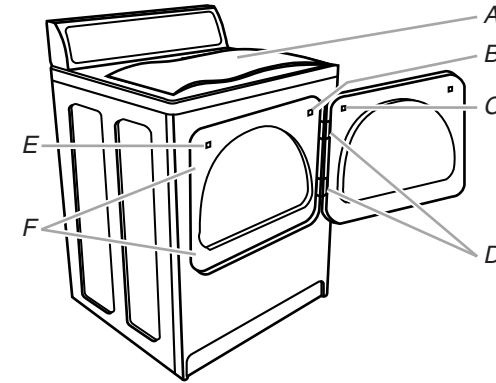
Check the levelness of the dryer. Check levelness first side to side, then front to back.



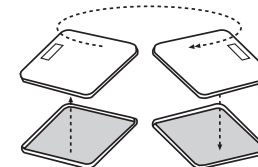
If the dryer is not level, prop up the dryer using a wood block. Use a wrench to adjust the legs up or down and check again for levelness.

## Reverse Door Swing (Optional)

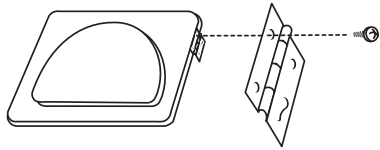
You can change your door swing from a right-side opening to a left-side opening, if desired.



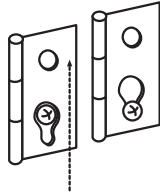
1. Place towel (A) on top of dryer to protect surface.
2. Open dryer door. Remove bottom screws from cabinet side of hinges (D). Loosen (do not remove) top screws from cabinet side of hinges.
3. Lift door until top screws in cabinet are in large part of hinge slot. Pull door forward off screws. Set door (handle side up) on top of dryer. Remove top screws from cabinet.
4. Remove screws attaching hinges to door.
5. Remove screws at top, bottom and side of door (4 screws). Holding door over towel on dryer, grasp sides of outer door and gently lift to separate it from inner door. Do not pry apart with putty knife. Do not pull on door seal or plastic door catches.
6. Be certain to keep cardboard spacer centered between doors. Reattach outer door panel to inner door panel so handle is on the side where hinges were just removed.



7. Attach door hinges to dryer door so that the larger hole is at the bottom of the hinge.



8. Remove door strike (E) from cabinet. Use a small, flat-blade screwdriver to gently remove 4 hinge hole plugs (F) on left side of cabinet. Insert plugs into hinge holes on right side of cabinet.
9. Insert screws into bottom holes on left side of cabinet. Tighten screws halfway. Position door so large end of door hinge slot is over screws. Slide door up so screws are in bottom of slots. Tighten screws. Insert and tighten top screws in hinges.



10. Remove door strike plug (B). Insert the door strike you removed in Step 8 into hole and secure with screw. Insert door strike plug into original door strike hole and secure with screw.
11. Close door and check that door strike aligns with door catch (C). If it is needed, slide door catch left or right within slot to adjust alignment.

## Complete Installation

1. Check that all parts are now installed. If there is an extra part, go back through the steps to see which step was skipped.
2. Check that you have all of your tools.
3. Check the dryer's final location. Be sure the vent is not crushed or kinked.
4. Check that the dryer is level. See "Level Dryer."

### **⚠ WARNING**



#### **Electrical Shock Hazard**

**Plug into a grounded 3 prong outlet.**

**Do not remove ground prong.**

**Do not use an adapter.**

**Do not use an extension cord.**

**Failure to follow these instructions can result in death, fire, or electrical shock.**

5. Plug into a grounded 3 prong outlet. Turn on power.
6. Remove any protective film on the console and any tape remaining on the dryer.
7. Dispose of/recycle all packaging materials.
8. Read "Dryer Use."
9. Wipe the dryer drum interior thoroughly with a damp cloth to remove any dust.
10. Select a Timed Dry heated cycle, and start the dryer. Do not select the Air Only Temperature setting.
  - If the dryer will not start, check the following:**
    - Dryer is plugged into a grounded 3 prong outlet.
    - Electrical supply is connected.
    - Household fuse is intact and tight, or circuit breaker has not tripped.
    - Dryer door is closed.
11. When the dryer has been running for 5 minutes, open the dryer door and feel for heat. If you feel heat, cancel cycle and close door. If you do not feel heat, turn off the dryer and check that the gas supply line shutoff valve is open.
  - If the gas supply line shutoff valve is closed, open it, then repeat the 5-minute test as outlined above.
  - If the gas supply line shutoff valve is open, contact a qualified technician.

# DRYER USE

## Starting Your Dryer

### **WARNING**



#### **Explosion Hazard**

**Keep flammable materials and vapors, such as gasoline, away from dryer.**

**Do not dry anything that has ever had anything flammable on it (even after washing).**

**Failure to follow these instructions can result in death, explosion, or fire.**

### **WARNING**



#### **Fire Hazard**

**No washer can completely remove oil.**

**Do not dry anything that has ever had any type of oil on it (including cooking oils).**

**Items containing foam, rubber, or plastic must be dried on a clothesline or by using an Air Cycle.**

**Failure to follow these instructions can result in death or fire.**

This book covers several different models. Your dryer may not have all of the cycles and features described.

Before using your dryer, wipe the dryer drum with a damp cloth to remove dust from storing and shipping.

1. Clean lint screen before each load. See "Cleaning the Lint Screen."
2. Load clothes loosely into the dryer and close the door. Do not pack the dryer. Allow space for clothes to tumble freely.
3. Turn the Cycle Control knob to the recommended cycle for the type of load being dried. Use the Energy Preferred setting (\*) to dry most heavy to medium-weight fabrics.
4. If your dryer has a Temperature selector, set it to the recommended setting for the type of fabric being dried. See "Dryer Cycle Descriptions" (separate sheet) for temperature suggestions. On some models, temperature is included in the cycle selections.
5. (OPTIONAL) Your dryer may have a WRINKLE PREVENT feature selector. When you are unable to remove a load from the dryer as soon as it stops, wrinkles can form. This feature periodically tumbles, rearranges and fluffs the load without heat to help smooth out wrinkles.
6. (OPTIONAL) Your dryer may have an END OF CYCLE SIGNAL. The signal is helpful when drying items that should be removed from the dryer as soon as it stops.
  - On some models, the volume of the End of Cycle signal can be adjusted. Turn the selector to the desired volume.
  - On other models, the End of Cycle signal is part of the Start button and is selectable. Turn the START button to ON or OFF. The signal will sound only if the selector is set to On.

7. Select the desired Option. See "Dryer Cycle Descriptions" (separate sheet).
8. If desired, add fabric softener sheet. Follow instructions on the package.
9. Push the START button.

### **How Automatic Drying Works**

When you are using the Auto Moisture Sensing Cycle, the dryness of the load is determined by two metal strips (sensors) located on the inside of the dryer. The metal strips help "feel" the amount of moisture left in the clothes as they tumble. When moisture is left in the clothes, the Cycle Control knob will not advance. As clothes begin to dry, the amount of water left in the clothes decreases, and the timer advances through the remainder of the cycle. When the selected dryness level is reached, the dryer goes into a cool down period of up to 10 minutes.

### **Stopping and Restarting**

You can stop your dryer anytime during a cycle.

#### **To stop your dryer**

Open the dryer door or turn the Cycle Control knob to OFF.

**NOTE:** The Cycle Control knob should point to an Off area when the dryer is not in use.

#### **To restart your dryer**

1. Close the door.
2. Select a new cycle and temperature (if desired).
3. Push the START button.

## Drying Rack Option

Use the Drying Rack to dry items such as sweaters and pillows without tumbling. The drum turns, but the rack does not move.

If your model does not have a drying rack, you may be able to purchase one for your model. To find out whether your model allows drying rack usage and for information on ordering, please refer to the front page of the manual or contact the dealer from whom you purchased your dryer.

**NOTE:** The drying rack must be removed for normal tumbling. Do not use the automatic cycle with the drying rack.

### To use the drying rack

1. Place drying rack in dryer.

**Style 1:** Your drying rack has front legs. Slide rear pegs into the dimples on the back wall of the dryer. Lower the front legs to rest on the dryer opening.

**Style 2:** Your drying rack does not have front legs. Do not remove the lint screen. Slide drying rack over the bottom of the dryer door opening. Push down to secure rack on frame.

2. Put wet items on top of rack, leaving space between items. Do not allow items to hang over the edge of the rack. Close the door.
3. Select a timed drying cycle and temperature, or an air cycle. Items containing foam, rubber, or plastic must be dried on a clothesline or by using an air cycle. Refer to the following table.
4. Start the dryer. Reset cycle to complete drying, if needed.


Rack Dry	Cycle	Temp	Time
Washable wool items (block to shape, lay flat on rack)	Timed Drying	Low	60 min.
Stuffed toys/pillows (cotton or polyester filled)	Timed Drying	Low	60 min.
Stuffed toys/pillows Foam rubber filled	Air (no heat)	N/A	90 min.

## DRYER CARE

### Cleaning the Dryer Location

Keep dryer area clear and free from items that would obstruct the flow of combustion and ventilation air.

**⚠ WARNING**



**Explosion Hazard**

**Keep flammable materials and vapors, such as gasoline, away from dryer.**

**Place dryer at least 18 inches (46 cm) above the floor for a garage installation.**

**Failure to do so can result in death, explosion, or fire.**

### Cleaning the Lint Screen

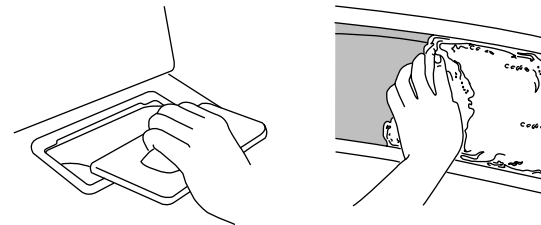
Clean lint screen before each load. A screen blocked by lint can increase drying time.

#### IMPORTANT:

- Do not run the dryer with the lint screen loose, damaged, blocked or missing. Doing so can cause overheating and damage to both the dryer and fabrics.
- If lint falls off the screen into the dryer during removal, check the exhaust hood and remove the lint.

#### Every Load Cleaning

1. The lint screen is located on top of the dryer. Pull the lint screen toward you. Roll lint off the screen with your fingers. Do not rinse or wash screen to remove lint. Wet lint is hard to remove.



2. Push the lint screen firmly back into place.

---

## As Needed Cleaning

---

1. Roll lint off the screen with your fingers.
  2. Wet both sides of lint screen with hot water.
  3. Wet a nylon brush with hot water and liquid detergent. Scrub lint screen with the brush to remove residue buildup.
  4. Rinse screen with hot water.
  5. Thoroughly dry lint screen with a clean towel. Replace screen in dryer.
- 

## Cleaning the Dryer Interior

1. Apply a liquid, nonflammable household cleaner to the stained area of the drum and rub with a soft cloth until stain is removed.
2. Wipe drum thoroughly with a damp cloth.
3. Tumble a load of clean cloths or towels to dry the drum.

**NOTE:** Garments that contain unstable dyes, such as denim blue jeans or brightly colored cotton items, may discolor the dryer interior. These stains are not harmful to your dryer and will not stain future loads of clothes. Dry unstable dye items inside out to avoid transfer of dye.

---

## Removing Accumulated Lint

### From Inside the Dryer Cabinet

Lint should be removed every 2 years, or more often, depending on dryer usage. Cleaning should be done by a qualified person.

### From the Exhaust Vent

Lint should be removed every 2 years, or more often, depending on dryer usage.

---

## Vacation and Moving Care

---

### Vacation care

Operate your dryer only when you are at home. If you will be on vacation or not using your dryer for an extended period of time, you should:

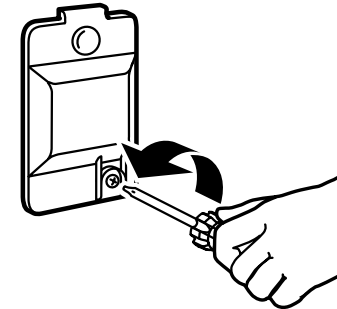
1. Unplug dryer or disconnect power.
  2. Close shutoff valve in gas supply line.
  3. Clean lint screen. See "Cleaning the Lint Screen."
- 

### Moving care

1. Unplug the power supply cord.
  2. Close shutoff valve in gas supply line.
  3. Disconnect gas supply line pipe and remove fittings attached to dryer pipe.
  4. Cap the open fuel supply line.
  5. Make sure leveling legs are secure in dryer base.
  6. Use masking tape to secure dryer door.
- 

## Changing the Drum Light

1. Unplug dryer or disconnect power.
2. Open the dryer door. Locate the light bulb cover on the back wall of the dryer. Remove the screw located in the lower right-hand corner of the cover. Remove the cover.



3. Turn bulb counterclockwise. Replace the bulb with a 10-watt appliance bulb only. Replace the cover and secure with the screw.
4. Plug in dryer or reconnect power.



# TROUBLESHOOTING

First try the solutions suggested here or visit our website and reference FAQs (Frequently Asked Questions) to possibly avoid the cost of a service call...  
In U.S.A. [www.maytag.com/help](http://www.maytag.com/help) - In Canada [www.maytag.ca](http://www.maytag.ca)

## Dryer Operation

### Dryer will not run

- **Has a household fuse blown, or has a circuit breaker tripped?**  
Electric dryers use 2 household fuses or circuit breakers. The drum may be turning, but you may not have heat. Replace the fuse or reset the circuit breaker. If the problem continues, call an electrician.
- **Was a regular fuse used?**  
Use a time-delay fuse.
- **Is the dryer door firmly closed?**
- **Was the Start button firmly pressed?**
- **Is a cycle selected?**  
The dryer will not start in the Wrinkle Prevent position. Move the dial past OFF.

### No heat

- **Has a household fuse blown, or has a circuit breaker tripped?**  
The drum may be turning, but you may not have heat. Replace the fuse or reset the circuit breaker. If the problem continues, call an electrician.
- **Is the valve open on the gas supply line?**

### Unusual sounds

- **Has the dryer had a period of non-use?**  
If the dryer hasn't been used for a while, there may be a thumping sound during the first few minutes of operation.
- **Is a coin, button, or paper clip caught between the drum and front or rear of the dryer?**  
Check the front and rear edges of the drum for small objects. Clean out pockets before laundering.
- **Is it a gas dryer?**  
The gas valve clicking is a normal operating sound.
- **Are the four legs installed, and is the dryer level front to back and side to side?**  
The dryer may vibrate if not properly installed. See the Installation Instructions.
- **Is the clothing knotted or balled up?**  
When balled up, the load will bounce, causing the dryer to vibrate. Separate the load items and restart the dryer.

### Timer does not noticeably advance

- **Is the dryer set to Timed or Air Dry?**  
The timer moves slowly and continuously for the time setting.
- **Is the dryer set to Automatic Drying?**  
The timer moves only when the clothing is mostly dry. See "How Automatic Drying Works" in "Dryer Use."

## Dryer Results

### Clothes are not drying satisfactorily, drying times are too long, or load is too hot

- **Is the lint screen clogged with lint?**  
Lint screen should be cleaned before each load.

**! WARNING**



**Fire Hazard**

**Use a heavy metal vent.**

**Do not use a plastic vent.**


**Do not use a metal foil vent.**

**Failure to follow these instructions can result in death or fire.**

- **Is the exhaust vent or outside exhaust hood clogged with lint, restricting air movement?**  
Run the dryer for 5-10 minutes. Hold your hand under the outside exhaust hood to check air movement. If you do not feel air movement, clean exhaust system of lint or replace exhaust vent with heavy metal or flexible metal vent. See the Installation Instructions.
- **Are fabric softener sheets blocking the grille?**  
Use only one fabric softener sheet, and use it only once.

- **Is the exhaust vent the correct length?**  
Check that the exhaust vent is not too long or has too many turns. Long venting will increase drying times. See the Installation Instructions.
- **Is the exhaust vent diameter the correct size?**  
Use 4" (10.2 cm) diameter vent material.

**⚠ WARNING**



**Explosion Hazard**

**Keep flammable materials and vapors, such as gasoline, away from dryer.**

**Place dryer at least 18 inches (46 cm) above the floor for a garage installation.**

**Failure to do so can result in death, explosion, or fire.**

- **Is the dryer located in a room with temperature below 45°F (7°C)?**  
Proper operation of dryer cycles requires temperatures above 45°F (7°C).
- **Is the dryer located in a closet?**  
Closet doors must have ventilation openings at the top and bottom of the door. Sides and front of dryer require a minimum of 1" (2.5 cm) of airspace, and the rear of the dryer requires 5" (12.7 cm). See the Installation Instructions.
- **Has an air dry cycle been selected?**  
Select the right cycle for the types of garments being dried.
- **Is the load too large and heavy to dry quickly?**  
Separate the load to tumble freely.

---

### Cycle time too short

---

**⚠ WARNING**

**Excessive Weight Hazard**

**Use two or more people to move and install dryer.**

**Failure to do so can result in back or other injury.**

- **Is the automatic cycle ending early?**  
The load may not be contacting the sensor strips. Level the dryer.  
  
Change the dryness level setting on Automatic Cycles. Increasing or decreasing the dryness level will change the amount of drying time in a cycle.

---

### Lint on load

---

- **Is the lint screen clogged?**  
Lint screen should be cleaned before each load.

---

### Stains on load or drum

---

- **Was dryer fabric softener properly used?**  
Add dryer fabric softener sheets at the beginning of the cycle. Fabric softener sheets added to a partially dried load can stain your garments.  
  
Drum stains are caused by dyes in clothing (usually blue jeans). This will not transfer to other clothing.

---

### Loads are wrinkled

---

- **Was the load removed from dryer at the end of the cycle?**
- **Was the dryer overloaded?**  
Dry smaller loads that can tumble freely.

---

### Odors

---

- **Have you recently been painting, staining or varnishing in the area where your dryer is located?**  
If so, ventilate the area. When the odors or fumes are gone from the area, rewash and dry the clothing.

## ASSISTANCE OR SERVICE

Before calling for assistance or service, please check "Troubleshooting." It may save you the cost of a service call. If you still need help, follow the instructions below.

When calling, please know the purchase date and the complete model and serial number of your appliance. This information will help us to better respond to your request.

### If you need replacement parts

If you need to order replacement parts, we recommend that you use only factory specified parts. Factory specified parts will fit right and work right because they are made with the same precision used to build every new MAYTAG® appliance.

To locate factory specified parts in your area, call the following customer assistance telephone number or your nearest designated service center.

### In the U.S.A.

Call Maytag Services, LLC Customer Assistance toll free: **1-800-688-9900**, or visit our website at **www.maytag.com**

#### Our consultants provide assistance with:

- Features and specifications on our full line of appliances.
- Installation information.
- Use and maintenance procedures.
- Accessory and repair parts sales.
- Specialized customer assistance (Spanish speaking, hearing impaired, limited vision, etc.).
- Referrals to local dealers, repair parts distributors and service companies. Maytag® appliances designated service technicians are trained to fulfill the product warranty and provide after-warranty service, anywhere in the United States.

To locate the Maytag® appliances designated service company in your area, you can also look in your telephone directory Yellow Pages.

#### For further assistance

If you need further assistance, you can write to Maytag® appliances with any questions or concerns at:

Maytag Services, LLC  
ATTN: CAIR® Center  
P.O. Box 2370  
Cleveland, TN 37320-2370

Please include a daytime phone number in your correspondence.

### In Canada

Call the Whirlpool Canada LP Customer Interaction Centre toll free: **1-800-807-6777**, or visit our website at **www.maytag.ca**.

#### Our consultants provide assistance with:

- Features and specifications on our full line of appliances.
- Use and maintenance procedures.
- Accessory and repair parts sales.
- Referrals to local dealers, repair parts distributors, and service companies. Whirlpool Canada LP designated service technicians are trained to fulfill the product warranty and provide after-warranty service, anywhere in Canada.

#### For further assistance

If you need further assistance, you can write to Whirlpool Canada LP with any questions or concerns at:

Customer Interaction Centre  
Whirlpool Canada LP  
1901 Minnesota Court  
Mississauga, Ontario L5N 3A7

Please include a daytime phone number in your correspondence.

## ACCESSORIES

Enhance your dryer with these premium accessories.

For more high-quality items or to order, call **1-800-901-2042**, or visit us at **www.maytag.com/accessories**. In Canada, call **1-800-807-6777** or visit us at **www.whirlpoolparts.ca**.

Part Number	Accessory
20-48KITRC	4 ft (1.22 m) gas line dryer connector installation kit
PT220L	4 ft (1.22 m) dryer cord, 3-wire, 30 amp
PT400L	4 ft (1.22 m) dryer cord, 4-wire, 30 amp
PT600L	6 ft (1.83 m) dryer cord, 4-wire, 30 amp
8212614	Dryer vent lint brush
31682	All-purpose appliance cleaner
1903WH	Laundry supply storage cart
3404351	Drying rack - fits 29" (73.7 cm) Super Capacity, 6.5 cu. ft (0.18 cu. m) - side swing or hamper door
3406839	Drying rack - fits 29" (73.7 cm) Super Capacity Plus, 7.0 cu. ft (0.20 cu. m) - side swing door only
8212450	Drying rack - fits 27" (68.6 cm) Ultra Capacity - side swing door only
49971	Compact dryer stand - white
49572	LP gas conversion kit

# MAYTAG CORPORATION MAJOR APPLIANCE WARRANTY

## ONE YEAR LIMITED WARRANTY

For one year from the date of purchase, when this major appliance is operated and maintained according to instructions attached to or furnished with the product, Maytag Corporation or Maytag Limited (hereafter "Maytag") will pay for Factory Specified Parts and repair labor to correct defects in materials or workmanship. Service must be provided by a Maytag designated service company. This limited warranty applies only when the major appliance is used in the country in which it was purchased.

## ITEMS MAYTAG WILL NOT PAY FOR

1. Service calls to correct the installation of your major appliance, to instruct you how to use your major appliance, to replace or repair house fuses or to correct house wiring or plumbing.
2. Service calls to repair or replace appliance light bulbs, air filters or water filters. Those consumable parts are excluded from warranty coverage.
3. Repairs when your major appliance is used for other than normal, single-family household use.
4. Damage resulting from accident, alteration, misuse, abuse, fire, flood, acts of God, improper installation, installation not in accordance with electrical or plumbing codes, or use of products not approved by Maytag.
5. Any food loss due to refrigerator or freezer product failures.
6. Replacement parts or repair labor costs for units operated outside the United States or Canada.
7. Pickup and delivery. This major appliance is designed to be repaired in the home.
8. Repairs to parts or systems resulting from unauthorized modifications made to the appliance.
9. Expenses for travel and transportation for product service in remote locations.
10. The removal and reinstallation of your appliance if it is installed in an inaccessible location or is not installed in accordance with published installation instructions.
11. Replacement parts or repair labor costs when the major appliance is used in a country other than the country in which it was purchased.

## DISCLAIMER OF IMPLIED WARRANTIES; LIMITATION OF REMEDIES

CUSTOMER'S SOLE AND EXCLUSIVE REMEDY UNDER THIS LIMITED WARRANTY SHALL BE PRODUCT REPAIR AS PROVIDED HEREIN. IMPLIED WARRANTIES, INCLUDING WARRANTIES OF MERCHANTABILITY OR FITNESS FOR A PARTICULAR PURPOSE, ARE LIMITED TO ONE YEAR OR THE SHORTEST PERIOD ALLOWED BY LAW. MAYTAG SHALL NOT BE LIABLE FOR INCIDENTAL OR CONSEQUENTIAL DAMAGES. SOME STATES AND PROVINCES DO NOT ALLOW THE EXCLUSION OR LIMITATION OF INCIDENTAL OR CONSEQUENTIAL DAMAGES, OR LIMITATIONS ON THE DURATION OF IMPLIED WARRANTIES OF MERCHANTABILITY OR FITNESS, SO THESE EXCLUSIONS OR LIMITATIONS MAY NOT APPLY TO YOU. THIS WARRANTY GIVES YOU SPECIFIC LEGAL RIGHTS AND YOU MAY ALSO HAVE OTHER RIGHTS, WHICH VARY FROM STATE TO STATE OR PROVINCE TO PROVINCE.

Outside the 50 United States and Canada, this warranty does not apply. Contact your authorized Maytag dealer to determine if another warranty applies.

If you need service, first see the "Troubleshooting" section of the Use & Care Guide. After checking "Troubleshooting," additional help can be found by checking the "Assistance or Service" section or by calling Maytag. In the U.S.A., call **1-800-688-9900**. In Canada, call **1-800-807-6777**.

9/06

**Keep this book and your sales slip together for future reference. You must provide proof of purchase or installation date for in-warranty service.**

Write down the following information about your major appliance to better help you obtain assistance or service if you ever need it. You will need to know your complete model number and serial number. You can find this information on the model and serial number label located on the product.

Dealer name \_\_\_\_\_

Address \_\_\_\_\_

Phone number \_\_\_\_\_

Model number \_\_\_\_\_

Serial number \_\_\_\_\_

Purchase date \_\_\_\_\_

# SÉCURITÉ DE LA SÈCHEUSE

## **Votre sécurité et celle des autres est très importante.**

Nous donnons de nombreux messages de sécurité importants dans ce manuel et sur votre appareil ménager. Assurez-vous de toujours lire tous les messages de sécurité et de vous y conformer.



Voici le symbole d'alerte de sécurité.

Ce symbole d'alerte de sécurité vous signale les dangers potentiels de décès et de blessures graves à vous et à d'autres.

Tous les messages de sécurité suivront le symbole d'alerte de sécurité et le mot "DANGER" ou "AVERTISSEMENT". Ces mots signifient :

**⚠ DANGER**

**Risque possible de décès ou de blessure grave si vous ne suivez pas immédiatement les instructions.**

**⚠ AVERTISSEMENT**

**Risque possible de décès ou de blessure grave si vous ne suivez pas les instructions.**

Tous les messages de sécurité vous diront quel est le danger potentiel et vous disent comment réduire le risque de blessure et ce qui peut se produire en cas de non-respect des instructions.

**AVERTISSEMENT : Pour votre sécurité, les renseignements dans ce manuel doivent être observés pour réduire au minimum les risques d'incendie ou d'explosion ou pour éviter des dommages au produit, des blessures ou un décès.**

- **Ne pas entreposer ou utiliser de l'essence ou d'autres vapeurs ou liquides inflammables à proximité de cet appareil ou de tout autre appareil électroménager.**
- **QUE FAIRE DANS LE CAS D'UNE ODEUR DE GAZ :**
  - **Ne pas tenter d'allumer un appareil.**
  - **Ne pas toucher à un commutateur électrique; ne pas utiliser le téléphone se trouvant sur les lieux.**
  - **Évacuer tous les gens de la pièce, de l'édifice ou du quartier.**
  - **Appeler immédiatement le fournisseur de gaz d'un téléphone voisin. Suivre ses instructions.**
  - **À défaut de joindre votre fournisseur de gaz, appeler les pompiers.**
- **L'installation et l'entretien doivent être effectués par un installateur qualifié, une agence de service ou le fournisseur de gaz.**

## IMPORTANTES INSTRUCTIONS DE SÉCURITÉ

**AVERTISSEMENT :** Pour réduire le risque d'incendie, de choc électrique ou de blessure lors de l'utilisation de la sècheuse, il convient d'observer certaines précautions élémentaires dont les suivantes :

- Lire toutes les instructions avant d'utiliser la sècheuse.
- Ne pas placer des articles exposés aux huiles de cuisson dans votre sècheuse. Les articles contaminés par des huiles de cuisson peuvent contribuer à une réaction chimique qui pourrait causer à la charge de s'enflammer.
- Ne pas faire sécher dans la machine des articles qui ont déjà été nettoyés, lavés, imbibés, ou tachés d'essence, de solvants pour nettoyage à sec, d'autres substances inflammables, ou de substances explosives puisqu'elles dégagent des vapeurs qui peuvent provoquer un incendie ou une explosion.
- Ne pas permettre à des enfants de jouer sur ou à l'intérieur de la sècheuse. Une surveillance étroite est nécessaire lorsque la sècheuse est utilisée près d'eux.
- Avant d'enlever la sècheuse du service ou la jeter, enlever la porte du compartiment de séchage.
- Ne pas mettre la main dans la sècheuse si le tambour est en mouvement.
- Ne pas installer ni entreposer la sècheuse où elle sera exposée aux intempéries.
- Ne pas jouer avec les commandes.
- Ne pas réparer ni remplacer une pièce de la sècheuse ou essayer d'en faire l'entretien à moins d'une recommandation spécifique dans le guide d'utilisation et d'entretien, ou publiée dans les instructions de réparation par l'utilisateur que vous comprenez et pouvez exécuter avec compétence.
- Ne pas utiliser un produit assouplissant de tissu ou des produits pour éliminer la statique à moins qu'ils ne soient recommandés par le fabricant du produit assouplissant de tissu ou du produit.
- Ne pas utiliser la chaleur pour faire sécher des articles fabriqués avec du caoutchouc mousse ou des matériaux semblables.
- Nettoyer le filtre à charpie avant et après chaque charge.
- Ne pas laisser la charpie, la poussière, ou la saleté s'accumuler autour du système d'évacuation ou autour de l'appareil.
- Un nettoyage périodique de l'intérieur de la sècheuse et du conduit d'évacuation doit être effectué par une personne qualifiée.
- Voir les instructions d'installation pour les exigences de liaison de l'appareil à la terre.

### CONSERVEZ CES INSTRUCTIONS

**IMPORTANT :** L'installation du gaz doit se conformer aux codes locaux, ou en l'absence de codes locaux, au code canadien d'installation B149.1 du gaz naturel ou du propane.

La sècheuse doit être électriquement reliée à la terre conformément aux codes locaux, ou en l'absence de codes locaux, au Code canadien de l'électricité, CSA C22.1.

# INSTRUCTIONS D'INSTALLATION

## Outillage et pièces nécessaires

Rassembler les outils et pièces nécessaires avant de commencer l'installation. Lire et suivre les instructions fournies avec les outils indiqués ici.

- Clé à tuyau de 8" ou 10"
- Clé à molette de 8" ou 10" (pour le raccordement au gaz)
- Tournevis à lame plate
- Clé à molette avec ouverture jusqu'à 1" (2,5 cm) ou clé à douille hexagonale (pour ajuster les pieds de la sècheuse)
- Tourne-écrou ou clé à douille de 1/4" (recommandé)
- Niveau
- Couteau
- Brides d'évacuation
- Composé d'étanchéité des raccords filetés – résistant au propane
- Pistolet à calfeutrage et composé de calfeutrage (pour l'installation d'un nouveau conduit d'évacuation)
- Pince
- Mètre ruban

### Pièces fournies :

Retirer le sachet de pièces du tambour de la sècheuse. Vérifier que toutes les pièces de la liste sont présentes.



4 pieds de nivellement

### Pièces nécessaires :

Consulter les codes locaux et le fournisseur de gaz, vérifier l'alimentation en gaz existante, l'alimentation électrique et le circuit d'évacuation, et lire les sections "Spécifications électriques", "Spécifications d'alimentation en gaz" et "Exigences concernant l'évacuation" avant d'acheter les pièces nécessaires.

Les installations dans les maisons mobiles nécessitent des pièces particulières (mentionnées ci-dessous) qui peuvent être commandées en appelant le marchand chez qui vous avez acheté la sècheuse. Pour plus de renseignements, veuillez consulter la section "Assistance ou service".

- Trousse d'installation pour maison mobile. Demander le numéro de pièce 346764.
- Système d'évacuation en métal.

## Exigences d'installation

### ⚠ AVERTISSEMENT



#### Risque d'explosion

**Garder les matières et les vapeurs inflammables, telle que l'essence, loin de la sècheuse.**

**Placer la sècheuse au moins 46 cm (18 po) au-dessus du plancher pour une installation dans un garage.**

**Le non-respect de ces instructions peut causer un décès, une explosion ou un incendie.**

### On a besoin de

- Un emplacement avec un conduit d'évacuation à proximité. Une sècheuse au gaz doit être évacuée à l'extérieur. Voir "Exigences concernant l'évacuation".
- Une prise électrique avec liaison à la terre située à moins de 2 pi (61 cm) de l'un des côtés de la sècheuse. Voir "Spécifications électriques".
- Un plancher robuste capable de supporter un poids total (sècheuse et charge) de 200 lb (90,7 kg). Le poids combiné d'un appareil voisin doit également être pris en compte.
- Un plancher horizontal avec une pente maximale de 1" (2,5 cm) sous l'ensemble de la sècheuse. (Si la pente est supérieure à 1" (2,5 cm), installer l'ensemble de pieds longs n° de pièce 279810.) Si la sècheuse n'est pas d'aplomb, le linge peut ne pas culbuter convenablement et les programmes commandés par des détecteurs automatiques peuvent ne pas fonctionner correctement.

Ne pas faire fonctionner la sècheuse à une température inférieure à 45°F (7°C). À des températures inférieures, la sècheuse risque de ne plus s'arrêter à la fin d'un programme automatique. Les temps de séchage risquent alors d'augmenter.

La sècheuse ne doit pas être installée ou remise dans un endroit où elle sera exposée à l'eau et/ou aux intempéries.

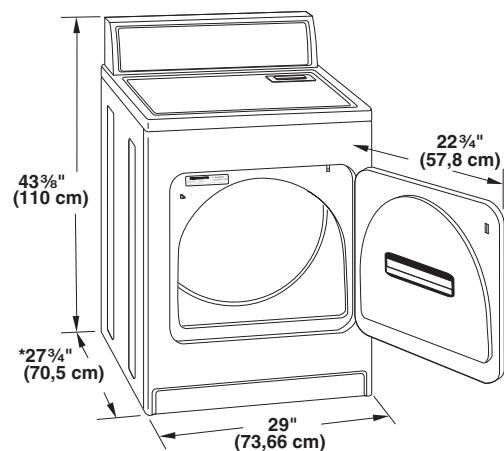
Vérifier les règlements locaux. Certains codes limitent ou n'autorisent pas l'installation des sècheuses dans un garage, un placard, une maison mobile ou une chambre à coucher. Communiquer avec l'inspecteur des bâtiments local.

**REMARQUE :** Aucun autre appareil consommant un combustible ne doit être installé dans le même placard que la sècheuse.

## Espacements d'installation

L'emplacement doit être assez grand pour permettre d'ouvrir complètement la porte de la sècheuse.

## Dimensions de la sècheuse



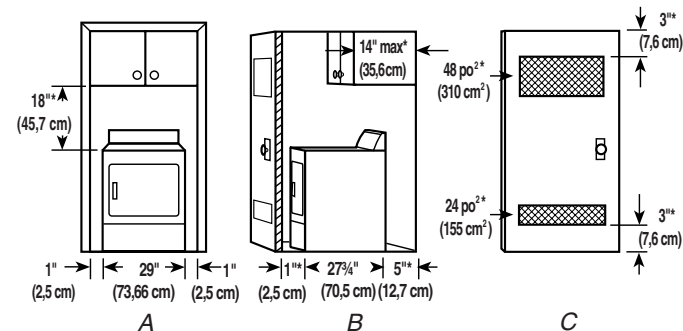
\*La plupart des installations requièrent un espace minimum de 5" (12,7 cm) derrière la sècheuse pour le conduit d'évacuation avec coude. Voir "Exigences concernant l'évacuation".

### Espacement minimum pour une installation dans un encastrement ou dans un placard

On recommande les dimensions d'espacement suivantes pour cette sècheuse. Cette sècheuse a été testée pour une installation avec dégagement de 0" (0 cm) sur les côtés et à l'arrière. L'espacement recommandé doit être considéré pour les raisons suivantes :

- On prévoira un peu plus d'espace pour faciliter l'installation et l'entretien.
- Un espace supplémentaire peut être requis pour les moulures de porte et de plancher et pour les plinthes.
- Un espace supplémentaire de tous les côtés de la sècheuse est recommandé pour réduire le transfert du bruit.
- Si une porte de placard est installée (pour une installation encastrée), on doit prévoir des orifices d'entrée d'air en haut et en bas de la porte. Les portes à claire-voie offrant une surface équivalente de passage de l'air sont acceptables.

- Il faut aussi prendre en compte l'espace requis entre les appareils voisins.



A. Encastrement

B. Vue latérale - placard ou endroit exigu

C. Porte du placard avec orifices d'entrée d'air

\*Espacement requis

### Exigences additionnelles concernant l'installation dans une maison mobile

Cette sècheuse peut être installée dans une maison mobile. L'installation doit satisfaire les critères de la Norme de construction et de sécurité des habitations préfabriquées des É.-U., Titre 24 CFR, partie 3280 (anciennement Norme fédérale de construction et de sécurité des habitations préfabriquées, Titre 24 HUD, partie 280) ou de la Norme canadienne des habitations préfabriquées, CAN/CSA-Z240MH.

#### L'installation dans une maison mobile exige :

- Un système d'évacuation en métal, disponible à l'achat chez votre marchand.
- La trousse d'installation pour maison mobile n° 346764. Voir la section "Outillage et pièces nécessaires" pour les renseignements de commande.
- Il faut prendre des dispositions spéciales pour l'apport d'air de l'extérieur dans la sècheuse lors d'une installation dans une maison mobile. La surface de toute ouverture pour l'apport d'air extérieur (telle qu'une fenêtre à proximité) devrait être au moins deux fois plus grande que l'ouverture de décharge de la sècheuse.



## Spécifications électriques

### **AVERTISSEMENT**



#### Risque de choc électrique

**Brancher sur une prise à 3 alvéoles reliée à la terre.**

**Ne pas enlever la broche de liaison à la terre.**

**Ne pas utiliser un adaptateur.**

**Ne pas utiliser un câble de rallonge.**

**Le non-respect de ces instructions peut causer un décès, un incendie ou un choc électrique.**

- L'appareil doit être alimenté par un circuit de 120 V, CA seulement, 60 Hz, 15 ou 20 ampères, protégé par fusible. On recommande l'emploi d'un fusible ou d'un disjoncteur temporisé. Il est recommandé de raccorder l'appareil sur un circuit distinct exclusif à cet appareil.

#### **INSTRUCTIONS DE LIAISON À LA TERRE**

- Pour une sècheuse reliée à la terre et connectée par un cordon :

Cette sècheuse doit être reliée à la terre. En cas de mauvais fonctionnement ou de panne, la liaison à la terre réduira le risque de choc électrique en offrant au courant électrique un acheminement d'évacuation de moindre résistance. Cette sècheuse est alimentée par un cordon électrique comportant un conducteur relié à la terre et une fiche de branchement munie d'une broche de liaison à la terre. La fiche doit être branchée sur une prise appropriée qui est bien installée et reliée à la terre conformément à tous les codes et règlements locaux.

**AVERTISSEMENT :** Le raccordement incorrect de cet appareil au conducteur de liaison à la terre peut susciter un risque de choc électrique. En cas de doute quant à la qualité de liaison à la terre de la sècheuse, consulter un électricien ou un technicien ou un personnel qualifié. Ne pas modifier la fiche de branchement fournie avec la sècheuse; si la fiche ne correspond pas à la configuration de la prise de courant, demander à un électricien qualifié d'installer une prise de courant appropriée.

**CONSERVEZ CES INSTRUCTIONS**

## Spécifications de l'alimentation en gaz

### **AVERTISSEMENT**



#### Risque d'explosion

**Utiliser une canalisation neuve d'arrivée de gaz approuvée par CSA International.**

**Installer un robinet d'arrêt.**

**Bien serrer chaque organe de connexion de la canalisation de gaz.**

**En cas de connexion au gaz propane, demander à une personne qualifiée de s'assurer que la pression de gaz ne dépasse pas 33 cm (13 po) de la colonne d'eau.**

**Par personne qualifiée, on comprend :**

**le personnel autorisé de chauffage,  
le personnel autorisé d'une compagnie de gaz, et  
le personnel d'entretien autorisé.**

**Le non-respect de ces instructions peut causer un décès, un explosion ou un incendie.**

#### **Type de gaz**

##### **Gaz naturel :**

Cette sècheuse est équipée pour une alimentation au gaz naturel. Sa conception est homologuée par la CSA International pour l'alimentation au gaz de pétrole liquéfié (propane ou butane), avec conversion appropriée.

- Cette sècheuse doit être équipée du brûleur convenable, correspondant au gaz spécifique qui alimente l'habitation. L'information sur le brûleur se trouve sur la plaque signalétique dans le logement de la porte de la sècheuse. Si cette information ne correspond pas au type de gaz disponible, contacter votre marchand ou composer les numéros de téléphone indiqués sur la page de couverture de ce manuel.

##### **Conversion au gaz de pétrole liquéfié :**

**Un technicien qualifié doit effectuer la conversion.**

Ne pas entreprendre de convertir l'appareil pour l'utilisation d'un gaz différent de celui indiqué sur la plaque signalétique de numéro de modèle/série sans d'abord consulter le fournisseur de gaz.

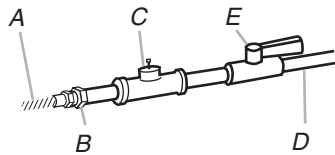
## Canalisation d'arrivée de gaz

- La canalisation doit comprendre un connecteur obturé (filetage NPT de 1/8" ou plus) accessible pour le raccordement de l'instrument de mesure immédiatement en amont de la connexion d'alimentation en gaz de la sécheuse (voir l'illustration).
- Un tuyau IPS de 1/2" est recommandé.
- Pour les longueurs inférieures à 20 pi (6,1 m), on peut utiliser des tuyaux approuvés de 3/8" (en aluminium ou en cuivre), si les codes et le fournisseur de gaz le permettent.
- Pour le gaz naturel, ne pas utiliser de conduits en cuivre.
- Pour les longueurs supérieures à 20 pieds (6,1 m), on peut utiliser des tuyaux plus gros et un adaptateur de grosseur différente.
- Si la sécheuse a été convertie au gaz de pétrole liquéfié, on peut utiliser un tuyau en cuivre compatible au gaz de pétrole liquéfié de 3/8". Si la longueur totale de la canalisation d'arrivée de gaz est supérieure à 20 pi (6,1 m), utiliser une plus grosse conduite.

**REMARQUE :** On doit utiliser un composé d'étanchéité des tuyauteries résistant à l'action du gaz de pétrole liquéfié. Ne pas utiliser de ruban TEFLON®†.

- Doit comporter un robinet d'arrêt du gaz :

Un robinet d'arrêt manuel individuel doit être installé conformément à la norme B149.1 du Code des installations au gaz naturel ou propane. Il est recommandé qu'un robinet d'arrêt manuel individuel soit installé en deçà de 6 pieds (1,8 m) de la sécheuse. L'emplacement doit être facile à atteindre pour l'ouverture et la fermeture.



- A. Connecteur au gaz souple de 3/8"
- B. Adaptateur du tuyau au joint conique de 3/8"
- C. Connecteur obturé (filetage NPT de 1/8" ou plus)
- D. Canalisation d'arrivée de gaz NPT de 1/2"
- E. Robinet d'arrêt du gaz

## Exigences concernant le raccordement au gaz

- Utiliser un coude et un adaptateur NPT de 3/8" x 3/8" entre le connecteur de gaz flexible et la conduite de gaz de la sécheuse, tel que nécessaire pour éviter le pincement.
- Utiliser uniquement un composé d'étanchéité des tuyauteries. Ne pas utiliser de ruban TEFLON®†.
- On doit raccorder la sécheuse à la conduite d'alimentation en gaz à l'aide d'un connecteur de gaz flexible homologué qui respecte les normes applicables aux connecteurs utilisés avec des appareils ménagers à gaz, ANSI Z21.24 ou CSA 6.10.

## Caractéristiques d'alimentation du brûleur :

### Altitudes supérieures à 10 000 pi (3048 m) :

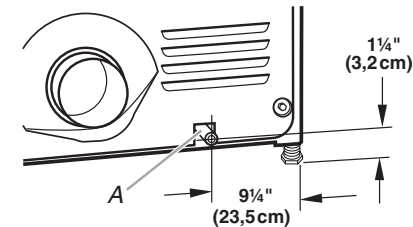
- Si la sécheuse doit être utilisée à une altitude supérieure à 10 000 pieds (3048 m), on doit réduire de 4 % le débit thermique du brûleur indiqué sur la plaque signalétique pour chaque tranche de 1000 pieds (305 m) d'augmentation de l'altitude.

### Épreuve sous pression de l'alimentation en gaz

- La sécheuse doit être déconnectée du système de canalisation d'alimentation en gaz lors de tout test de pression à des pressions plus élevées que 1/2 lb/po<sup>2</sup>.

## Canalisation d'arrivée de gaz de la sécheuse

- La canalisation d'arrivée de gaz sortant à l'arrière de la sécheuse est dotée d'un filetage mâle de 3/8".




A. Tuyau NPT de la sécheuse de 3/8"

†®TEFLON est une marque déposée de E.I. Du Pont De Nemours et Compagnie.

## Exigences concernant l'évacuation

**⚠ AVERTISSEMENT**



**Risque d'incendie**

**Utiliser un conduit d'évacuation en métal lourd.**

**Ne pas utiliser un conduit d'évacuation en plastique.**

**Ne pas utiliser un conduit d'évacuation en feuille de métal.**

**Le non-respect de ces instructions peut causer un décès ou un incendie.**

**AVERTISSEMENT :** Pour réduire le risque d'incendie, cette sècheuse doit ÉVACUER L'AIR À L'EXTÉRIEUR.

**IMPORTANT :** Observer les dispositions de tous les codes et règlements en vigueur.

Le conduit d'évacuation de la sècheuse ne doit pas être connecté à une évacuation de gaz, une cheminée, un mur, un plafond ou un vide de construction.

### En cas d'utilisation du système d'évacuation existant

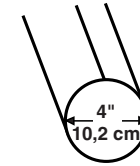
- Éliminer la charpie sur toute la longueur du système et veiller à ce que le clapet de décharge ne soit pas obstrué par une accumulation de charpie.
- Remplacer tout conduit de plastique ou de feuille métallique par un conduit de métal lourd rigide ou souple.
- Examiner le tableau de longueur du conduit d'évacuation. Apporter les modifications nécessaires au système d'évacuation pour atteindre le meilleur rendement de séchage.

### En cas de nouveau système d'évacuation

#### Matériel pour l'évacuation

- Utiliser un conduit d'évacuation en métal lourd. Ne pas utiliser un conduit de plastique ou en feuille métallique.

- Utiliser un conduit d'évacuation en métal lourd de 4" (10,2 cm) et des brides de serrage.



Conduit d'évacuation en métal lourd de 4" (10,2 cm)

On peut se procurer les produits d'évacuation auprès du marchand ou en téléphonant à Maytag Services. Pour plus de renseignements, voir la section "Assistance ou service".

#### Conduit métallique rigide

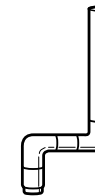
- Pour un meilleur rendement de séchage, on recommande d'utiliser des conduits métalliques rigides.
- On recommande d'utiliser un conduit métallique rigide pour réduire les risques d'écrasement et de déformation.

#### Conduit métallique flexible

- Les conduits métalliques flexibles sont acceptables seulement dans la mesure où ils sont accessibles en vue du nettoyage.
- Un conduit métallique flexible doit être totalement déployé et soutenu lorsque la sècheuse est à sa position finale.
- Enlever tout excès de conduit flexible pour éviter tout affaissement ou déformation susceptible de réduire la capacité d'évacuation et le rendement.
- Ne pas installer le conduit métallique flexible dans les cavités fermées des murs, plafonds ou planchers.

#### Coudes

Les coudes à 45° permettent une meilleure circulation de l'air que les coudes à 90°.



Bon

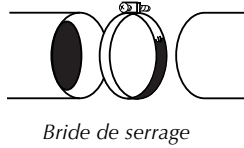


Meilleur

#### Brides de serrage

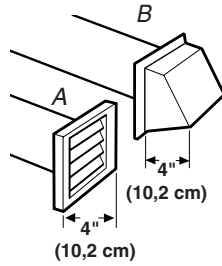
- Utiliser des brides pour sceller tous les joints.

- Le conduit d'évacuation ne doit pas être connecté ou fixé avec des vis ou avec tout autre dispositif de serrage qui se prolonge à l'intérieur du conduit. Ne pas utiliser de ruban adhésif pour conduit.



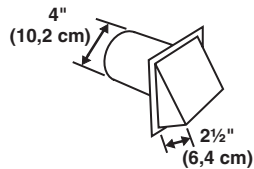
## Évacuation

Les styles de clapets recommandés sont illustrés ci-dessous.



A. Clapet à persiennes  
B. Clapet de type boîte

Le clapet incliné de type boîte ci-dessous est acceptable.



- Terminer le conduit d'évacuation par un clapet de décharge pour empêcher les rongeurs et insectes d'entrer dans l'habitation.
- Le clapet de décharge doit être situé à au moins 12" (30,5 cm) au-dessus du sol ou de tout autre objet susceptible de se trouver sur le trajet de l'air humide rejeté (par exemple, fleurs, roches ou arbustes, limite de la neige, etc.).
- Ne pas utiliser un clapet d'évacuation à fermeture magnétique.

**Une mauvaise évacuation de l'air peut causer de l'humidité et une accumulation de charpie à l'intérieur de la maison, ce qui peut provoquer :**

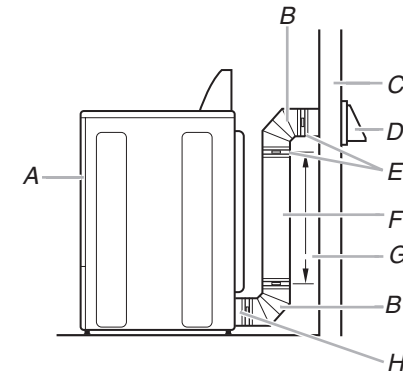
- Dommages par l'humidité aux boiseries, meubles, peinture, papier-peint, tapis, etc.
- Problèmes de nettoyage dans la maison et problèmes de santé.

# Planification du système d'évacuation

## Choisir un type de système d'évacuation

### Installations d'évacuation recommandées

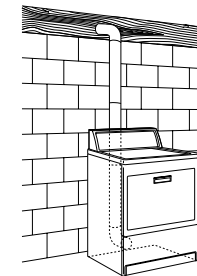
Les installations typiques consistent à acheminer le conduit d'évacuation à l'arrière de la sècheuse. D'autres installations sont possibles.



A. Sécheuse  
B. Coude  
C. Mur  
D. Clapet de décharge  
E. Brides

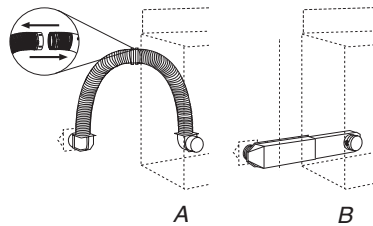
F. Conduit métallique rigide ou souple  
G. Longueur de conduit nécessaire pour raccorder les coudes  
H. Bouche de décharge

### Installations standard du conduit d'évacuation à l'aide d'un conduit métallique rigide ou souple



## Autres installations où le dégagement est réduit

Il existe de nombreux types de systèmes d'évacuation. Choisir le type qui convient le mieux à l'installation. Deux installations à dégagement réduit sont illustrées. Voir les instructions du fabricant.



A. Installation au-dessus de la sècheuse (aussi disponible avec un coude décalé)

B. Installation de périscope

**REMARQUE :** On peut acheter les trusses suivantes pour les installations où le dégagement est réduit. Veuillez consulter la section "Assistance ou service" pour commander.

- Installation au-dessus de la sècheuse :

Pièce numéro 4396028

- Installation de périscope (pour l'utilisation en cas de non-concordance de la bouche de décharge de la sècheuse avec le clapet) :

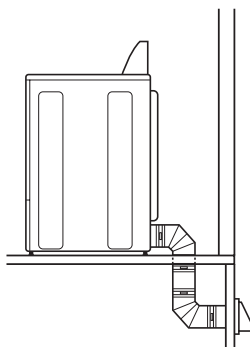
Pièce numéro 4396037 - 0" (0 cm) à 18" (45,72 cm) de décalage

Pièce numéro 4396011 - 18" (45,72 cm) à 29" (73,66 cm) de décalage

Pièce numéro 4396014 - 29" (73,66 cm) à 50" (127 cm) de décalage

## Dispositions spéciales pour les installations dans une maison mobile

Le système d'évacuation doit être solidement fixé à une section non combustible de la structure de la maison mobile et ne doit pas se terminer en dessous de la maison mobile. Faire en sorte que le système d'évacuation se termine à l'extérieur.



## Déterminer l'itinéraire d'acheminement du conduit

- Choisir l'itinéraire d'acheminement vers l'extérieur qui sera le plus direct et le plus rectiligne.
- Planifier l'installation pour introduire le nombre minimal de coudes et de changements de direction.
- Si des coudes ou des changements de direction sont utilisés, prévoir autant d'espace que possible.
- Plier le conduit graduellement pour éviter de le déformer.
- Utiliser le moins possible de changements de direction à 90°.

## Déterminer la longueur du conduit et les coudes nécessaires pour la meilleure performance de séchage

- Utiliser le tableau des systèmes d'évacuation ci-dessous pour déterminer le type de matériel à utiliser pour le conduit et les combinaisons de clapet acceptables.
- **REMARQUE :** Ne pas utiliser un conduit de longueur supérieure à la valeur spécifiée dans le tableau des systèmes d'évacuation. Si la longueur du circuit est supérieure à la valeur spécifiée dans le tableau, on observera :
  - Une réduction de la longévité de la sècheuse.
  - Une réduction du rendement, avec temps de séchage plus longs et une plus grande consommation d'énergie.

Le tableau des systèmes d'évacuation fournit les exigences d'évacuation qui vous aideront à atteindre la meilleure performance de séchage.

Tableau des systèmes d'évacuation

Nombre de changements de direction à 90° ou coudes	Type de conduit	Clapets de type boîte ou à persiennes	Clapets inclinés
0	Métallique rigide	64 pi (20 m)	58 pi (17,7 m)
	Métallique souple	36 pi (11 m)	28 pi (8,5 m)
1	Métallique rigide	54 pi (16,5 m)	48 pi (14,6 m)
	Métallique souple	31 pi (9,4 m)	23 pi (7 m)
2	Métallique rigide	44 pi (13,4 m)	38 pi (11,6 m)
	Métallique souple	27 pi (8,2 m)	19 pi (5,8 m)
3	Métallique rigide	35 pi (10,7 m)	29 pi (8,8 m)
	Métallique souple	25 pi (7,6 m)	17 pi (5,2 m)
4	Métallique rigide	27 pi (8,2 m)	21 pi (6,4 m)
	Métallique souple	23 pi (7 m)	15 pi (4,6 m)

## Installation du système d'évacuation

1. Installer le clapet d'évacuation. Utiliser du composé de calfeutrage pour sceller l'ouverture murale à l'extérieur autour du clapet d'évacuation.
2. Raccorder le conduit d'évacuation au clapet. Le conduit doit être inséré à l'intérieur du clapet. Fixer ensemble le conduit et le clapet avec une bride de serrage de 4" (10,2 cm).
3. Acheminer le conduit d'évacuation jusqu'à l'emplacement de la sècheuse. Utiliser l'itinéraire le plus rectiligne possible. Voir "Déterminer l'itinéraire d'acheminement du conduit" dans "Planification du système d'évacuation". Éviter les changements de direction à 90°. Utiliser des brides de serrage pour sceller tous les joints. Ne pas utiliser de ruban adhésif pour conduit, des vis ou autres dispositifs de fixation qui se prolongent à l'intérieur du conduit pour fixer celui-ci.

## Installation des pieds de nivellement

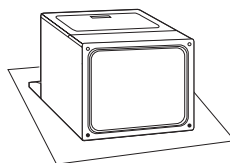
### **⚠ AVERTISSEMENT**

#### **Risque du poids excessif**

**Utiliser deux ou plus de personnes pour déplacer et installer la sècheuse.**

**Le non-respect de cette instruction peut causer une blessure au dos ou d'autre blessure.**

1. Pour protéger le sol, utiliser un grand morceau plat de l'emballage en carton de la sècheuse. Placer le carton sous le bord arrière de la sècheuse.
2. Saisir fermement la sècheuse par la caisse (ni par le dessus ni par le panneau de commande). Déposer délicatement la sècheuse sur le carton. Voir l'illustration.



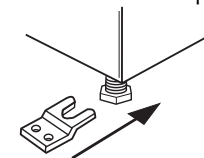
3. Examiner les pieds de nivellement. Trouver le symbole de repérage (losange).



4. Engager manuellement les vis des pieds dans les trous. Utiliser une clé à molette pour visser les pieds jusqu'à ce que le symbole de repérage (losange) ne soit plus visible.
5. Placer une cornière de carton prise à partir de l'emballage de la sècheuse sous chacun des deux coins arrière de la sècheuse. Redresser la sècheuse. Faire glisser la sècheuse sur les cornières jusqu'à ce qu'elle soit proche de son emplacement final. Laisser suffisamment d'espace pour connecter le conduit d'évacuation ou la canalisation de gaz.

## Pour utilisation dans une maison mobile

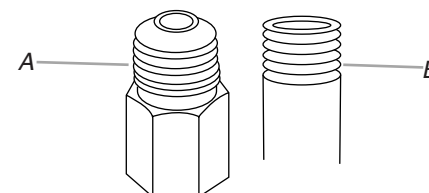
Les sècheuses à gaz doivent être fixées solidement au plancher.



Les installations dans une maison mobile nécessitent une trousse d'installation pour maison mobile. Voir la section "Outillage et pièces" pour les renseignements de commande.

## Raccordement au gaz

1. Retirer le capuchon rouge de la conduite de gaz.
2. À l'aide d'une clé à molette, raccorder l'alimentation en gaz à la sècheuse. Utiliser un composé d'étanchéité des tuyauteries sur tous les filetages mâles non évasés. Si on utilise un conduit métallique souple, veiller à ce qu'il ne soit pas déformé.

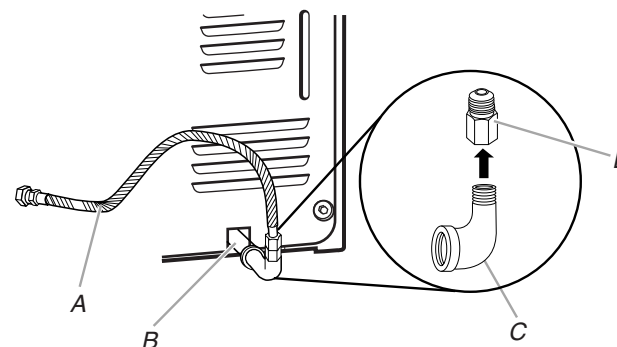


A. Filetage mâle évasé

B. Filetage mâle non évasé

**REMARQUE :** Pour les raccords au gaz de pétrole liquéfié, il faut utiliser un composé d'étanchéité des tuyauteries résistant à l'action du gaz de pétrole liquéfié. Ne pas utiliser de ruban TEFLON<sup>®†</sup>.

On doit utiliser une combinaison de raccords de tuyauterie pour raccorder la sècheuse à l'alimentation en gaz existante. On voit ci-dessous une illustration d'un raccordement recommandé. Le raccordement peut varier, selon le type d'alimentation, la dimension et l'emplacement.



A. Connecteur de gaz souple de 3/8"

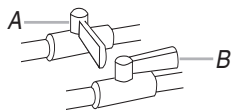
B. Conduit de la sècheuse de 3/8"

C. Coude de conduit de 3/8" à 3/8"

D. Adaptateur entre le conduit et le joint conique de 3/8"

†TEFLON est une marque déposée de E.I. Du Pont De Nemours and Company.

- Ouvrir le robinet d'arrêt du conduit d'alimentation. Le robinet est ouvert lorsque la poignée est parallèle au conduit d'alimentation en gaz.



A. Robinet fermé  
B. Robinet ouvert

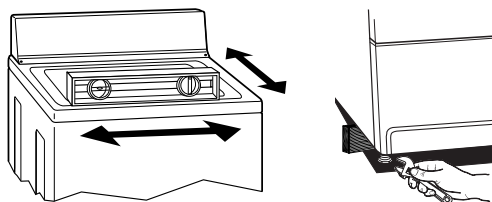
- Vérifier tous les raccordements en les badigeonnant d'une solution de détection des fuites non corrosive approuvée. L'apparition de bulles indique une fuite. Réparer toute fuite éventuelle.

## Raccordement du conduit d'évacuation

- À l'aide d'une bride de serrage de 4" (10,2 cm), relier le conduit d'évacuation à la bouche d'évacuation de la sécheuse. Si on utilise un système d'évacuation existant, s'assurer qu'il est propre. Le conduit d'évacuation de la sécheuse doit être fixé sur la bouche d'évacuation de la sécheuse et dans le clapet d'évacuation. S'assurer que le conduit d'évacuation est fixé au clapet d'évacuation à l'aide d'une bride de serrage de 4" (10,2 cm).
- Placer la sécheuse à son emplacement final. Ne pas écraser ni déformer le conduit d'évacuation.
- (Sur les modèles à gaz) Vérifier que le tuyau de gaz flexible n'est pas déformé ou écrasé.
- Une fois que le conduit d'évacuation est raccordé, retirer les cornières et le carton.

## Mise à niveau de la sécheuse

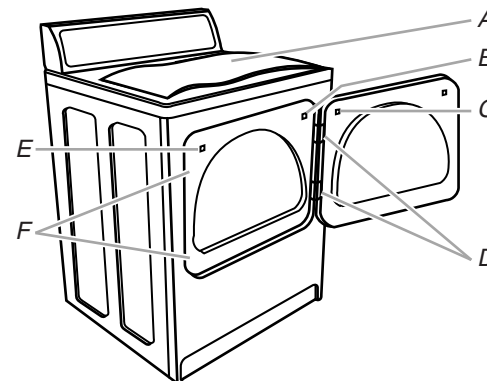
Contrôler l'aplomb de la sécheuse. Contrôler l'aplomb tout d'abord transversalement, puis dans le sens avant/arrière.



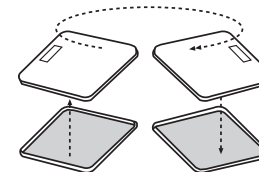
Si la sécheuse n'est pas de niveau, la déposer sur un bloc de bois. Utiliser une clé à molette pour ajuster les pieds vers le haut ou vers le bas, et vérifier à nouveau si elle est de niveau.

## Inversion du sens d'ouverture de la porte (facultatif)

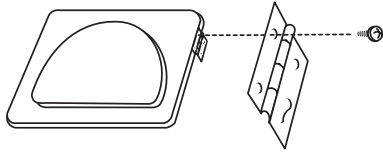
On peut changer l'ouverture de la porte du côté droit au côté gauche si désiré.



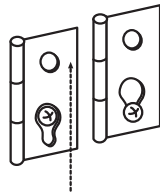
- Placer une serviette (A) sur la sécheuse pour protéger la surface.
- Ouvrir la porte de la sécheuse. Ôter les vis inférieures fixant les charnières (D) sur la caisse. Desserrer (sans les ôter) les vis supérieures fixant les charnières sur la caisse.
- Soulever la porte suffisamment pour que les vis supérieures de la caisse se trouvent dans la partie élargie des trous des charnières. Tirer la porte vers l'avant pour la dégager des vis. Placer la porte (poignée vers le haut) sur le dessus de la sécheuse. Ôter les vis supérieures de la caisse.
- Enlever les vis qui fixent les charnières sur la porte.
- Enlever les vis au sommet, en bas et sur le côté de la porte (4 vis). En tenant la porte au-dessus de la serviette sur la sécheuse, saisir les côtés de la section externe de la porte et soulever prudemment pour la séparer de la section interne de la porte. Ne pas essayer de séparer les deux sections avec un couteau à mastic. Ne pas tirer sur le joint de la porte ou sur les loquets de plastique de la porte.
- Veiller à maintenir la plaque de carton d'espacement centrée entre les deux sections de la porte. Réassembler la section externe et la section interne de la porte de telle manière que la poignée soit orientée du côté où les charnières viennent d'être enlevées.



7. Fixer les charnières de porte à la porte de la sécheuse de façon à ce que le trou le plus gros se trouve dans la partie inférieure de la charnière.



8. Enlever la gâche de la porte (E) de la caisse. Utiliser un petit tournevis à lame plate pour ôter soigneusement 4 bouchons d'obturation (F) du côté gauche de la caisse. Insérer les bouchons dans les trous de charnière du côté droit de la caisse.
9. Insérer les vis dans les trous inférieurs du côté gauche de la caisse. Serrer les vis à moitié. Placer la porte de telle sorte que la partie élargie du trou de charnière se trouve au-dessus des vis. Glisser la porte vers le haut de telle sorte que les vis se trouvent au bas des fentes. Serrer les vis. Insérer les vis supérieures dans les charnières et les serrer.



10. Enlever le bouchon d'obturation de la gâche de la porte (B). Insérer dans le trou la gâche qui a été enlevée à l'étape 8; fixer la gâche avec la vis. Insérer le bouchon d'obturation dans le trou d'où la gâche avait été initialement extraite; fixer le bouchon avec la vis.
11. Fermer la porte; vérifier que la gâche de la porte est alignée avec le loquet (C). Au besoin, déplacer la gâche de la porte vers la gauche ou vers la droite dans son logement pour ajuster l'alignement.

## Achever l'installation

1. Vérifier que toutes les pièces sont installées. S'il reste une pièce, passer en revue les différentes étapes pour découvrir laquelle aurait été oubliée.
2. S'assurer d'avoir récupéré tous vos outils.
3. Vérifier l'emplacement définitif de la sécheuse. S'assurer que le conduit d'évacuation n'est pas écrasé ou déformé.
4. Vérifier que la sécheuse est de niveau. Voir "Mise à niveau de la sécheuse".

## ⚠ AVERTISSEMENT



### Risque de choc électrique

**Brancher sur une prise à 3 alvéoles reliée à la terre.**

**Ne pas enlever la broche de liaison à la terre.**

**Ne pas utiliser un adaptateur.**

**Ne pas utiliser un câble de rallonge.**

**Le non-respect de ces instructions peut causer un décès, un incendie ou un choc électrique.**

5. Brancher la sécheuse sur une prise à 3 broches reliée à la terre. Connecter l'alimentation électrique.
6. Ôter tout film protecteur ou ruban adhésif restant sur la sécheuse.
7. Jeter/recycler tout le matériel d'emballage.
8. Lire "Utilisation de la sécheuse".
9. Essuyer soigneusement l'intérieur du tambour de la sécheuse avec un chiffon humide pour éliminer toute trace de poussière.
10. Sélectionner un programme de séchage minuté avec chaleur et mettre la sécheuse en marche. Ne pas sélectionner le réglage de température Air Only (air seulement).
 

**Si la sécheuse ne démarre pas, vérifier ce qui suit :**

  - La sécheuse est branchée sur une prise à 3 alvéoles reliée à la terre.
  - L'alimentation électrique est connectée.
  - Les fusibles sont intacts et serrés, ou le disjoncteur n'est pas déclenché.
  - La porte de la sécheuse est fermée.
11. Après 5 minutes de fonctionnement, ouvrir la porte de la sécheuse et vérifier s'il y a de la chaleur. En cas de chaleur, annuler le programme et fermer la porte. Si aucune émanation de chaleur n'est perceptible, éteindre la sécheuse et vérifier que le robinet d'arrêt de la canalisation de gaz est ouvert.
  - Si le robinet d'arrêt de la canalisation de gaz est fermé, l'ouvrir, puis répéter le test de 5 minutes décrit ci-dessus.
  - Si le robinet d'arrêt de la canalisation de gaz est ouvert, contacter un technicien qualifié.



# UTILISATION DE LA SÉCHEUSE

## Mise en marche de la sècheuse

### **⚠ AVERTISSEMENT**



#### Risque d'explosion

**Garder les matières et les vapeurs inflammables, telle que l'essence, loin de la sècheuse.**

**Ne pas faire sécher un article qui a déjà été touché par un produit inflammable (même après un lavage).**

**Le non-respect de ces instructions peut causer un décès, une explosion ou un incendie.**

### **⚠ AVERTISSEMENT**



#### Risque d'incendie

**Aucune laveuse ne peut complètement enlever l'huile.**

**Ne pas faire sécher des articles qui ont été salis par tout genre d'huile (y compris les huiles de cuisson).**

**Les articles contenant mousse, caoutchouc ou plastique doivent être séchés sur une corde à linge ou par le programme de séchage à l'air.**

**Le non-respect de ces instructions peut causer un décès ou un incendie.**

Ce manuel couvre plusieurs modèles différents. Votre modèle peut ne pas avoir tous les programmes ou caractéristiques décrits.

Avant d'utiliser la sècheuse, essuyer le tambour de la sècheuse avec un linge humide pour enlever la poussière accumulée au cours de l'entreposage et de l'expédition.

1. Nettoyer le filtre à charpie avant chaque charge. Voir "Nettoyage du filtre à charpie".
2. Charger les vêtements sans les tasser dans la sècheuse et fermer la porte. Ne pas surcharger la sècheuse. Prévoir suffisamment d'espace pour que les vêtements puissent culbuter librement.
3. Tourner le bouton de commande de programme au programme recommandé pour le type de charge que vous séchez. Utiliser le réglage Energy Preferred [éconergique (\*)] pour sécher la plupart des tissus lourds et de poids moyen.
4. Si votre sècheuse a un sélecteur de température, le régler à la position recommandée pour le type de tissu à sécher. Voir "Descriptions des programmes de la sècheuse" (feuille séparée) pour des suggestions sur la température. Sur certains modèles, la température fait partie des sélections de programme.

5. (OPTION) Votre sècheuse peut être munie d'un sélecteur pour la caractéristique WRINKLE PREVENT (antifroissement). Lorsqu'on ne peut pas enlever une charge de la sècheuse dès qu'elle s'arrête, des faux plis peuvent se former. Cette caractéristique fournit un culbutage à intervalles, réarrange et aère les charges sans chauffage pour éviter les faux plis.
6. (OPTION) Votre sècheuse peut être munie d'un signal de fin de programme (END OF CYCLE SIGNAL). Le signal est utile lorsque vous faites sécher des articles qui doivent être enlevés de la sècheuse aussitôt qu'elle s'arrête.
  - Sur certains modèles, le volume du signal de fin de programme peut être ajusté. Tourner le bouton sélecteur au volume désiré.
  - Sur d'autres modèles, le signal de fin de programme fait partie du bouton de mise en marche et peut être sélectionné. Tourner le bouton START (mise en marche) à ON (marche) ou OFF (arrêt). Le signal sera entendu seulement si le bouton sélecteur est réglé à ON.
7. Sélectionner l'option désirée. Voir "Descriptions des programmes de la sècheuse" (feuille séparée).

8. Ajouter une feuille d'assouplissant de tissus, si désiré. Suivre les instructions sur l'emballage.
9. Appuyer sur la touche START.

### Fonctionnement du programme de séchage automatique

Lors de l'utilisation du programme Auto Moisture Sensing (détection automatique de l'humidité), le degré de séchage de la charge est déterminé par deux bandes métalliques (capteurs) situées à l'intérieur de la sècheuse. Les bandes métalliques aident à "sentir" la quantité d'humidité restant dans les vêtements au moment de leur passage. S'il reste de l'humidité dans les vêtements, le bouton de commande de programme n'avance pas. Au fur et à mesure du séchage, la quantité d'eau restant dans les vêtements diminue et la minuterie avance pour la suite du programme. Lorsque le degré de séchage sélectionné est atteint, la sècheuse passe à une période de refroidissement d'une durée pouvant aller jusqu'à 10 minutes.

### Arrêt et remise en marche

On peut arrêter la sècheuse à tout moment au cours d'un programme.

### Pour arrêter la sècheuse

Ouvrir la porte de la sècheuse ou tourner le bouton de commande de programme à OFF.

**REMARQUE :** Le bouton de commande de programme doit pointer vers une zone d'arrêt Off quand la sècheuse n'est pas utilisée.

### Pour remettre la sècheuse en marche

1. Fermer la porte.
2. Sélectionner un nouveau programme et une nouvelle température (si désiré).
3. Appuyer sur la touche START (mise en marche).

## Option grille de séchage

Utiliser la grille de séchage pour sécher sans culbutage les articles tels que les chandails et oreillers. Le tambour tourne, mais la grille ne bouge pas.

Si votre modèle n'a pas de grille de séchage, vous pouvez en acheter une. Pour savoir si votre modèle permet l'utilisation d'une grille de séchage et pour obtenir des informations sur les commandes, veuillez consulter la première page de votre manuel ou contacter le vendeur chez qui vous avez acheté votre sècheuse.

**REMARQUE :** La grille de séchage doit être enlevée pour le culbutage normal. Ne pas utiliser le programme automatique avec la grille de séchage.

### Utilisation de la grille de séchage

1. Placer la grille de séchage dans la sècheuse.

**Style 1 :** Votre grille de séchage est munie de pieds à l'avant. Glisser les chevilles à l'arrière dans les alvéoles sur la paroi arrière de la sècheuse. Abaisser les pieds à l'avant pour qu'ils reposent sur l'ouverture de la sècheuse.

**Style 2 :** Votre grille de séchage n'est pas munie de pieds à l'avant. Ne pas retirer le filtre à charpie. Glisser la grille de séchage par dessus le bas de l'ouverture de la porte de la sècheuse. Appuyer sur la grille pour la fixer en place sur le cadre.

2. Placer les articles mouillés sur la grille de séchage. Laisser de l'espace entre les articles. Ne pas laisser d'article pendre par-dessus le bord de la grille. Fermer la porte.

3. Sélectionner un programme de séchage minuté et une température ou un programme de séchage à l'air. Les articles contenant mousse, caoutchouc ou plastique doivent être séchés sur une corde à linge ou par le programme de séchage à l'air. Se référer au tableau suivant.
4. Mettre la sècheuse en marche. Régler de nouveau le programme pour compléter le séchage, si nécessaire.

Séchage sur grille	Programme	Temp.	Durée
Articles en laine lavables (remettre en forme et étaler à plat sur la grille)	Séchage minuté	Basse	60 min.
Jouets rembourrés ou oreillers (garnis de coton ou de polyester)	Séchage minuté	Basse	60 min.
Jouets rembourrés ou oreillers (rembourrage en caoutchouc mousse)	Air (sans chaleur)	N/A	90 min.

## ENTRETIEN DE LA SÈCHEUSE

### Nettoyage de l'emplacement de la sècheuse

Éviter de laisser des éléments qui pourraient obstruer le débit de combustion et empêcher une bonne ventilation autour de la sècheuse.

### AVERTISSEMENT



#### Risque d'explosion

**Garder les matières et les vapeurs inflammables, telle que l'essence, loin de la sècheuse.**

**Placer la sècheuse au moins 46 cm (18 po) au-dessus du plancher pour une installation dans un garage.**

**Le non-respect de ces instructions peut causer un décès, une explosion ou un incendie.**

## Nettoyage du filtre à charpie

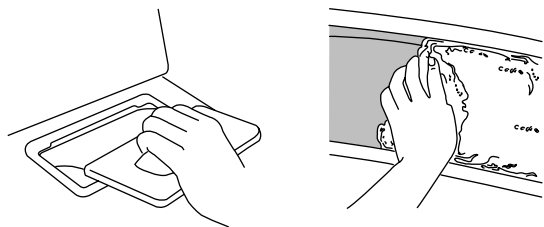
Nettoyer le filtre à charpie avant chaque charge. Un filtre obstrué de charpie peut augmenter le temps de séchage.

### IMPORTANT :

- Ne pas faire fonctionner la sècheuse avec un filtre à charpie déplacé, endommagé, bloqué ou manquant. Une telle action peut causer une surchauffe et des dommages à la sècheuse et aux tissus.
- Si de la charpie tombe dans la sècheuse au moment du retrait du filtre, vérifier le conduit d'évacuation et retirer la charpie.

### Nettoyage avant chaque charge

1. Le filtre à charpie est situé au sommet de la sècheuse. Tirer le filtre à charpie vers vous. Enlever la charpie du filtre en la roulant avec les doigts. Ne pas rincer ni laver le filtre pour enlever la charpie. La charpie mouillée s'enlève difficilement.



2. Remettre le filtre à charpie en le poussant fermement en place.

### Nettoyage au besoin

1. Enlever la charpie du filtre en la roulant avec les doigts.
2. Mouiller les deux côtés du filtre à charpie avec de l'eau chaude.
3. Mouiller une brosse en nylon avec de l'eau chaude et du détergent liquide. Frotter le filtre avec la brosse pour enlever l'accumulation de résidus.
4. Rincer le filtre à l'eau chaude.
5. Bien sécher le filtre à charpie avec une serviette propre. Replacer le filtre dans la sècheuse.

## Nettoyage de l'intérieur de la sècheuse

1. Appliquer un nettoyant ménager liquide ininflammable sur la zone tachée du tambour et frotter avec un linge doux jusqu'à ce que la tache s'enlève.
2. Essuyer complètement le tambour avec un linge humide.
3. Faire culbuter une charge de linge ou de serviettes propres pour sécher le tambour.

**REMARQUE :** Les vêtements contenant des teintures instables, tels que jeans en denim ou articles en coton de couleur vive, peuvent décolorer l'intérieur de la sècheuse. Ces taches ne sont pas nuisibles à votre sècheuse et ne tacheront pas les vêtements des charges futures. Faire sécher les articles fabriqués d'une teinture instable en les tournant à l'envers pour empêcher le transfert de la teinture.

## Comment enlever la charpie accumulée

### À l'intérieur de la sècheuse

La charpie devrait être enlevée tous les 2 ans, ou plus souvent, selon l'utilisation de la sècheuse. Le nettoyage devrait être effectué par une personne qualifiée.

### À l'intérieur du conduit d'évacuation

La charpie devrait être enlevée tous les 2 ans, ou plus souvent, selon l'utilisation de la sècheuse.

## Précautions à prendre pour les vacances et avant un déménagement

### Période de vacances

On ne doit faire fonctionner la sècheuse que lorsqu'on est présent sur place. Si l'utilisateur doit partir en vacances ou n'utilise pas la sècheuse pendant une période prolongée, il convient d'exécuter les opérations suivantes :

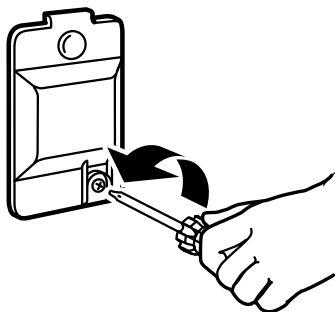
1. Débrancher la sècheuse ou déconnecter la source de courant électrique.
2. Fermer le robinet d'arrêt de la canalisation de gaz.
3. Nettoyer le filtre à charpie. Voir "Nettoyage du filtre à charpie".

### Précautions à prendre avant un déménagement

1. Débrancher le cordon d'alimentation électrique.
2. Fermer le robinet d'arrêt de la canalisation de gaz.
3. Débrancher le tuyau de la canalisation de gaz et retirer les raccords fixés sur le tuyau de la sècheuse.
4. Recouvrir la canalisation de gaz ouverte.
5. Veiller à ce que les pieds de nivellement soient fixés solidement à la base de la sècheuse.
6. Utiliser du ruban adhésif pour fixer la porte de la sècheuse.

## Changement de l'ampoule du tambour

1. Débrancher la sècheuse ou déconnecter la source de courant électrique.
2. Ouvrir la porte de la sècheuse. Trouver le couvercle de l'ampoule d'éclairage sur la paroi arrière de la sècheuse. Enlever la vis située au coin inférieur droit du couvercle. Enlever le couvercle.
3. Tourner l'ampoule dans le sens antihoraire. Remplacer l'ampoule seulement par une ampoule de 10 watts pour appareil électroménager. Réinstaller le couvercle et le fixer avec la vis.
4. Brancher la sècheuse ou reconnecter la source de courant électrique.



## DÉPANNAGE

Essayer d'abord les solutions suggérées ici ou visiter notre site Web et consulter les références FAQ (Foire Aux Questions), ce qui vous évitera peut-être le coût d'une visite de service...[www.maytag.ca](http://www.maytag.ca)

## Fonctionnement de la sècheuse

### La sècheuse ne fonctionne pas

- **Un fusible est-il grillé ou un disjoncteur s'est-il déclenché?**  
Les sècheuses électriques utilisent 2 fusibles ou disjoncteurs. Le tambour peut tourner, mais sans chaleur. Remplacer le fusible ou réenclencher le disjoncteur. Si le problème persiste, appeler un électricien.
- **A-t-on utilisé un fusible ordinaire?**  
Utiliser un fusible temporisé.
- **La porte de la sècheuse est-elle bien fermée?**
- **A-t-on bien enfoncé le bouton Start (mise en marche)?**
- **A-t-on sélectionné un programme?**  
La sècheuse ne se mettra pas en marche à la position Wrinkle Prevent. Tourner le cadran après OFF (arrêt).

### Absence de chaleur

- **Un fusible est-il grillé ou un disjoncteur s'est-il déclenché?**  
Le tambour peut tourner, mais sans chaleur. Remplacer le fusible ou réenclencher le disjoncteur. Si le problème persiste, appeler un électricien.
- **Le robinet du conduit d'alimentation en gaz est-il ouvert?**

### Bruits inhabituels

- **La sècheuse est-elle restée hors service pendant un certain temps?**  
Si la sècheuse n'a pas été utilisée depuis quelque temps, il est possible qu'elle émette des bruits saccadés au cours des premières minutes de fonctionnement.
- **Une pièce de monnaie, un bouton ou un trombone sont-ils coincés entre le tambour et l'avant ou l'arrière de la sècheuse?**  
Vérifier les bords avant et arrière du tambour pour voir si de petits objets y sont coincés. Vider les poches avant de faire la lessive.
- **S'agit-il d'une sècheuse à gaz?**  
Le dé clic du robinet de gaz est un bruit de fonctionnement normal.
- **Les quatre pieds sont-ils installés et la sècheuse est-elle d'aplomb de l'avant vers l'arrière et transversalement?**  
La sècheuse peut vibrer si elle n'est pas correctement installée. Voir les Instructions d'installation.
- **Les vêtements sont-ils emmêlés ou en boule?**  
Une charge en boule rebondit, ce qui fait vibrer la sècheuse. Séparer les articles de la charge et remettre la sècheuse en marche.

## La minuterie ne progresse pas visiblement

- **Séchage minuté ou séchage à l'air?**  
La minuterie progresse lentement et de façon continue au cours de la durée réglée.
- **Séchage automatique?**  
La minuterie ne progresse que lorsque le linge est pratiquement sec. Voir "Fonctionnement du programme de séchage automatique" dans "Utilisation de la sècheuse".

## Résultats de la sècheuse

### Le séchage des vêtements n'est pas satisfaisant, les durées de séchage sont trop longues, la charge est trop chaude

- **Le filtre à charpie est-il obstrué de charpie?**  
Le filtre à charpie doit être nettoyé avant chaque charge.

## ⚠ AVERTISSEMENT



### Risque d'incendie

- Utiliser un conduit d'évacuation en métal lourd.
- Ne pas utiliser un conduit d'évacuation en plastique.
- Ne pas utiliser un conduit d'évacuation en feuille de métal.
- Le non-respect de ces instructions peut causer un décès ou un incendie.

- **Le conduit d'évacuation ou le clapet d'évacuation à l'extérieur est-il obstrué de charpie, restreignant le mouvement de l'air?**  
Faire fonctionner la sècheuse pendant 5 à 10 minutes. Tenir la main sous le clapet d'évacuation à l'extérieur pour vérifier le mouvement de l'air. Si vous ne ressentez pas de l'air en mouvement, nettoyer le système d'évacuation ou remplacer le conduit d'évacuation par un conduit en métal lourd ou flexible en métal. Voir "Instructions d'installation".
- **Des feuilles d'assouplissant de tissus bloquent-elles la grille de sortie?**  
Utiliser seulement une feuille d'assouplissant par charge et ne l'utiliser qu'une seule fois.
- **Le conduit d'évacuation a-t-il la longueur appropriée?**  
Vérifier que le conduit d'évacuation n'est pas trop long ou ne comporte pas trop de changements de direction. Un long conduit augmentera les durées de séchage. Voir "Instructions d'installation".

- **Le diamètre du conduit d'évacuation a-t-il la taille correcte?**  
Utiliser un composant de 4" (10,2 cm) de diamètre.

## ⚠ AVERTISSEMENT



### Risque d'explosion

- Garder les matières et les vapeurs inflammables, telle que l'essence, loin de la sècheuse.
- Placer la sècheuse au moins 46 cm (18 po) au-dessus du plancher pour une installation dans un garage.
- Le non-respect de ces instructions peut causer un décès, une explosion ou un incendie.

- **La sècheuse se trouve-t-elle dans une pièce où la température ambiante est inférieure à 45°F (7°C)?**  
Le bon fonctionnement des programmes de la sècheuse nécessite une température ambiante supérieure à 45°F (7°C).
- **La sècheuse est-elle installée dans un placard?**  
Les portes du placard doivent comporter des ouvertures d'aération au sommet et en bas de la porte. Un espace minimum de 1" (2,5 cm) est nécessaire sur les côtés et à l'avant de la sècheuse, et un espace de 5" (12,7 cm) est nécessaire à l'arrière de la sècheuse. Voir "Instructions d'installation".
- **A-t-on sélectionné un programme de séchage à l'air?**  
Choisir le bon programme pour les types de vêtements à sécher.
- **La charge est-elle trop grosse et trop lourde pour sécher rapidement?**  
Séparer la charge pour qu'elle culbute librement.

## Temps de programme trop court

## ⚠ AVERTISSEMENT

### Risque du poids excessif

- Utiliser deux ou plus de personnes pour déplacer et installer la sècheuse.
- Le non-respect de cette instruction peut causer une blessure au dos ou d'autre blessure.

- **Le programme automatique se termine-t-il trop tôt?**  
La charge n'est peut-être pas en contact avec les bandes de détection. Régler l'aplomb de la sècheuse.

Modifier le réglage du degré de séchage pour les programmes automatiques. L'augmentation ou la diminution du degré de séchage modifiera la durée de séchage d'un programme.

### Charpie sur la charge

- **Le filtre à charpie est-il obstrué?**  
Nettoyer le filtre à charpie avant chaque charge. Vérifier le mouvement de l'air.

### Taches sur la charge ou sur le tambour

- **L'assouplissant de tissus pour sècheuse a-t-il été utilisé correctement?**  
Ajouter les feuilles d'assouplissant de tissus au début du programme. Les feuilles d'assouplissant de tissus ajoutées à une charge partiellement sèche peuvent tacher les vêtements.  
  
Les taches sur le tambour sont dues aux teintures contenues dans les vêtements (les jeans en général). Il n'y aura pas de transfert sur les autres vêtements.

### Charges froissées

- **La charge a-t-elle été retirée de la sècheuse à la fin du programme?**
- **La sècheuse a-t-elle été surchargée?**  
Faire sécher de plus petites charges qui peuvent culbuter librement.

### Odeurs

- **Avez-vous récemment employé peinture, teinture ou vernis dans la pièce où est installée votre sècheuse?**  
Si c'est le cas, aérer la pièce. Une fois les odeurs ou émanations disparues, laver et sécher à nouveau les vêtements.

## ASSISTANCE OU SERVICE

Avant de faire un appel pour assistance ou service, consulter la section "Dépannage". Ce guide peut vous faire économiser le coût d'une visite de service. Si vous avez encore besoin d'aide, suivre les instructions ci-dessous.

Lors d'un appel, veuillez connaître la date d'achat, le numéro de modèle et le numéro de série au complet de l'appareil. Ces renseignements nous aideront à mieux répondre à votre demande.

### Si vous avez besoin de pièces de rechange

Si vous avez besoin de commander des pièces de rechange, nous vous recommandons d'employer uniquement des pièces spécifiées par l'usine. Les pièces spécifiées par l'usine fonctionneront bien parce qu'elles sont fabriquées avec la même précision que celles utilisées dans la fabrication de chaque nouvel appareil MAYTAG®.

Pour localiser des pièces spécifiées par l'usine dans votre région, composer le numéro de téléphone d'assistance à la clientèle suivant ou appeler le centre de service désigné le plus proche.

## Au Canada

Veuillez appeler sans frais le Centre d'interaction avec la clientèle de Whirlpool Canada LP au : **1-800-807-6777** ou consulter notre site Web à [www.maytag.ca](http://www.maytag.ca).

### Nos consultants vous renseigneront sur les sujets suivants :

- Caractéristiques et spécifications sur toute notre gamme d'appareils électroménagers.
- Consignes d'utilisation et d'entretien.
- Ventes d'accessoires et pièces de rechange.
- Références aux marchands locaux, aux distributeurs de pièces de rechange et aux compagnies de service. Les techniciens de service désignés par Whirlpool Canada LP sont formés pour remplir la garantie des produits et fournir un service après la garantie, partout au Canada.

### Pour plus d'assistance

Si vous avez besoin de plus d'assistance, vous pouvez soumettre par écrit toute question ou préoccupation à Whirlpool Canada LP à l'adresse suivante :

Centre d'interaction avec la clientèle  
Whirlpool Canada LP  
1901 Minnesota Court  
Mississauga, Ontario L5N 3A7

Veuillez inclure dans votre correspondance un numéro de téléphone où on peut vous joindre dans la journée.

## ACCESSOIRES

Vous pouvez faciliter l'utilisation de votre sècheuse avec ces accessoires de première qualité.

Pour la commande de divers articles de qualité, téléphoner à **1-800-807-6777** ou consulter le site [www.whirlpoolparts.ca](http://www.whirlpoolparts.ca).

Produit numéro	Accessoire
20-48KITRC	Connecteur 4 pi (1,2 m) pour sècheuse à gaz – ensemble d'installation
PT220L	Cordon d'alimentation, 3 conducteurs, 30 A, 4 pi (1,2 m) pour sècheuse
PT400L	Cordon d'alimentation, 4 conducteurs, 30 A, 4 pi (1,2 m) pour sècheuse
PT600L	Cordon d'alimentation, 4 conducteurs, 30 A, 6 pi (1,83 m) pour sècheuse
8212614	Brosse à peluches pour conduit d'évacuation de sècheuse
31682	Produit de nettoyage polyvalent pour appareils ménagers
1903WH	Casier de rangement de fournitures de buanderie
3404351	Grille de séchage pour appareil grande capacité 29" (73,7 cm), 6,5 pi <sup>3</sup> (0,18 m <sup>3</sup> ) – porte à ouverture latérale ou verticale
3406839	Grille de séchage pour appareil grande capacité 29" (73,7 cm), 7,0 pi <sup>3</sup> (0,20 m <sup>3</sup> ) - porte à ouverture latérale seulement
8212450	Grille de séchage pour appareil ultra capacité 27" (68,6 cm) - porte à ouverture latérale seulement
49971	Piédestal compact pour sècheuse - blanc
49572	Ensemble de conversion pour gaz propane

# GARANTIE DES GROS APPAREILS MÉNAGERS MAYTAG CORPORATION

## GARANTIE LIMITÉE DE UN AN

Pendant un an à compter de la date d'achat, lorsque ce gros appareil ménager est utilisé et entretenu conformément aux instructions jointes à ou fournies avec le produit, Maytag Corporation ou Maytag Limited (ci-après désignées "Maytag") paiera pour les pièces spécifiées par l'usine et la main-d'oeuvre pour corriger les vices de matériaux ou de fabrication. Le service doit être fourni par une compagnie de service désignée par Maytag. Cette garantie limitée s'applique exclusivement lorsque l'appareil est utilisé dans le pays où il a été acheté.

## MAYTAG NE PRENDRA PAS EN CHARGE

1. Les visites de service pour rectifier l'installation du gros appareil ménager, montrer à l'utilisateur comment utiliser l'appareil, remplacer ou réparer des fusibles ou rectifier le câblage ou la plomberie du domicile.
2. Les visites de service pour réparer ou remplacer les ampoules électriques de l'appareil, les filtres à air ou les filtres à eau. Ces pièces consommables ne sont pas couvertes par la garantie.
3. Les réparations lorsque le gros appareil ménager est utilisé à des fins autres que l'usage unifamilial normal.
4. Les dommages imputables à : accident, modification, usage impropre ou abusif, incendie, inondation, actes de Dieu, installation fautive ou installation non conforme aux codes d'électricité ou de plomberie, ou l'utilisation de produits non approuvés par Maytag.
5. Toute perte d'aliments due à une défaillance du réfrigérateur ou du congélateur.
6. Le coût des pièces de rechange et de la main-d'oeuvre pour les appareils utilisés hors des États-Unis ou du Canada.
7. Le ramassage et la livraison. Ce gros appareil ménager est conçu pour être réparé à domicile.
8. Les réparations aux pièces ou systèmes résultant d'une modification non autorisée faite à l'appareil.
9. Les frais de transport pour le service d'un produit dans les régions éloignées.
10. La dépose et la réinstallation de votre appareil si celui-ci est installé dans un endroit inaccessible ou n'est pas installé conformément aux instructions d'installation fournies.
11. Le coût des pièces de rechange et de la main-d'oeuvre lorsque l'appareil est utilisé dans un pays autre que le pays où il a été acheté.

## CLAUSE D'EXONÉRATION DE RESPONSABILITÉ AU TITRE DES GARANTIES IMPLICITES; LIMITATION DES RECOURS

LE SEUL ET EXCLUSIF RECOURS DU CLIENT DANS LE CADRE DE LA PRÉSENTE GARANTIE LIMITÉE CONSISTE EN LA RÉPARATION PRÉVUE CI-DESSUS. LES GARANTIES IMPLICITES, Y COMPRIS LES GARANTIES APPLICABLES DE QUALITÉ MARCHANDE ET D'APTITUDE À UN USAGE PARTICULIER, SONT LIMITÉES À UN AN OU À LA PLUS COURTE PÉRIODE AUTORISÉE PAR LA LOI. MAYTAG N'ASSUME AUCUNE RESPONSABILITÉ POUR LES DOMMAGES FORTUITS OU INDIRECTS. CERTAINES JURIDICTIONS NE PERMETTENT PAS L'EXCLUSION OU LA LIMITATION DES DOMMAGES FORTUITS OU INDIRECTS, OU LES LIMITATIONS DE LA DURÉE DES GARANTIES IMPLICITES DE QUALITÉ MARCHANDE OU D'APTITUDE À UN USAGE PARTICULIER, DE SORTE QUE CES EXCLUSIONS OU LIMITATIONS PEUVENT NE PAS S'APPLIQUER DANS VOTRE CAS. CETTE GARANTIE VOUS CONFÈRE DES DROITS JURIDIQUES SPÉCIFIQUES ET VOUS POUVEZ ÉGALEMENT JOUIR D'AUTRES DROITS QUI PEUVENT VARIER D'UNE JURIDICTION À UNE AUTRE.

À l'extérieur du Canada et des 50 États des États-Unis, cette garantie ne s'applique pas. Contacter votre marchand Maytag autorisé pour déterminer si une autre garantie s'applique.

Si vous avez besoin de service, voir d'abord la section "Dépannage" du Guide d'utilisation et d'entretien. Après avoir vérifié la section "Dépannage", de l'aide supplémentaire peut être trouvée en vérifiant la section "Assistance ou service" ou en appelant Maytag. Aux É.-U., composer le **1-800-688-9900**. Au Canada, composer le **1-800-807-6777**.

9/06

**Conservez ce manuel et votre reçu de vente ensemble pour référence ultérieure. Pour le service sous garantie, vous devez présenter un document prouvant la date d'achat ou d'installation.**

Inscrivez les renseignements suivants au sujet de votre gros appareil ménager pour mieux vous aider à obtenir assistance ou service en cas de besoin. Vous devrez connaître le numéro de modèle et le numéro de série au complet. Vous trouverez ces renseignements sur la plaque signalétique située sur le produit.

Nom du marchand \_\_\_\_\_

Adresse \_\_\_\_\_

Numéro de téléphone \_\_\_\_\_

Numéro de modèle \_\_\_\_\_

Numéro de série \_\_\_\_\_

Date d'achat \_\_\_\_\_

